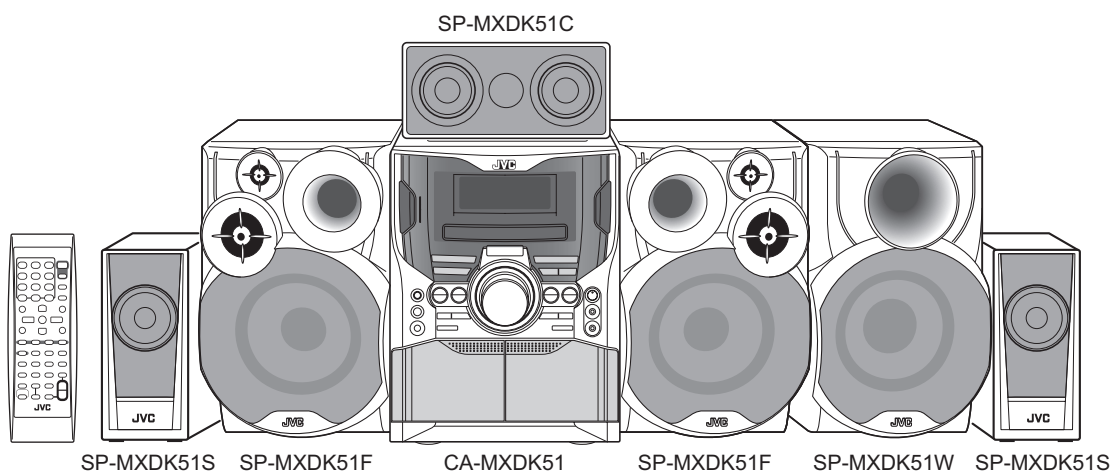


JVC

SERVICE MANUAL

COMPACT COMPONENT SYSTEM

MX-DK51EE, MX-DK51A, MX-DK51US, MX-DK51UX, MX-DK51UG, MX-DK51UN



**EXTENDED
SUPER BASS**

Digital Direct Progressive Scan

Lead free solder used in the board (material : Sn-Ag-Cu, melting point : 219 Centigrade)

TABLE OF CONTENTS

1	PRECAUTION.....	1-3
2	SPECIFIC SERVICE INSTRUCTIONS.....	1-5
3	DISASSEMBLY.....	1-5
4	ADJUSTMENT.....	1-5
5	TROUBLESHOOTING.....	1-5

SPECIFICATION

Amplifier section	Output Power	FRONT SPEAKERS	100 W per channel, min. RMS, driven into 6 Ω at 1 kHz with no more than 10% total harmonic distortion.
		CENTER SPEAKER	50 W per channel, min. RMS, driven into 6 Ω at 1 kHz with no more than 10% total harmonic distortion.
		SURROUND SPEAKERS	50 W per channel, min. RMS, driven into 6 Ω at 1 kHz with no more than 10% total harmonic distortion.
		SUBWOOFER	100 W per channel, min. RMS, driven into 6 Ω at 63 Hz with no more than 10% total harmonic distortion.
	Audio input sensitivity/ Impedance*	AUX	400 mV/47 kΩ
		MIC 1/2	3.0 mV/50 kΩ
	VIDEO OUT	Color system	NTSC/PAL selectable
		VIDEO (composite)	1 V(p-p)/75 Ω
		S-VIDEO	Y (luminance) : 1 V(p-p)/75 Ω C (chrominance, burst) : 0.286 V(p-p)/75 Ω
		COMPONENT (Interlace/Progressive)	(Y) : 1 V(p-p)/75 Ω (PB/PR) : 0.7 V(p-p)/75 Ω
Speaker Terminals		6 Ω - 16 Ω (Front speakers) 6 Ω - 16 Ω (Center speaker) 6 Ω - 16 Ω (Surround speakers) 6 Ω - 16 Ω (Subwoofer)	
Tuner section	FM tuning range	87.50 MHz - 108.00 MHz	
	AM (MW) tuning range	531 kHz - 1 710 kHz (at 9 kHz) 530 kHz - 1 710 kHz (at 10 kHz)	
	For Saudi Arabia only	530 kHz - 1 600 kHz (at 10 kHz)	
	For Russia only	522 kHz - 1 629 kHz	
Disc player section	Playable disc	DVD Video/DVD Audio/CD/VCD/SVCD CD-R/-RW/-ROM (CD/VCD/SVCD/MP3/WMA/MPEG-1/ MPEG-2/ASF/JPEG/DivX format) DVD-R/-RW (DVD Video/DVD Video Recording (VR)/ MP3/WMA/MPEG-1/MPEG-2/ASF/JPEG/DivX format) +R/+RW (DVD Video format)	
	Dynamic range	90 dB	
	Horizontal resolution	500 lines	
	Wow and flutter	Immeasurable	
Cassette deck section	Frequency response Normal (type I)	50 Hz - 14 000 Hz	
	Wow and flutter	0.15% (WRMS)	
General	Power requirement	AC 110 V / AC 127 V / AC 220 V / AC 230 V - AC 240 V , (adjustable with the voltage selector), 50 Hz / 60 Hz	
	Power consumption	225 W (at operation) 22 W (on standby)	
	Dimensions (approx.)	265 mm × 335 mm × 370 mm (W/H/D)	
	Mass (approx.)	8.4 kg	

*Measured at 1 kHz, with tape recording signal 400 mV
Design and specifications are subject to change without notice.

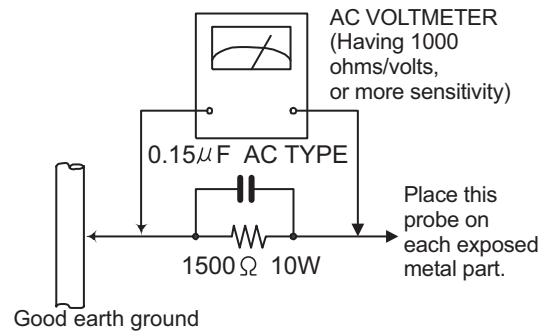
SECTION 1 PRECAUTION

1.1 Safety Precautions

- (1) This design of this product contains special hardware and many circuits and components specially for safety purposes. For continued protection, no changes should be made to the original design unless authorized in writing by the manufacturer. Replacement parts must be identical to those used in the original circuits. Services should be performed by qualified personnel only.
- (2) Alterations of the design or circuitry of the product should not be made. Any design alterations of the product should not be made. Any design alterations or additions will void the manufacturer's warranty and will further relieve the manufacturer of responsibility for personal injury or property damage resulting therefrom.
- (3) Many electrical and mechanical parts in the products have special safety-related characteristics. These characteristics are often not evident from visual inspection nor can the protection afforded by them necessarily be obtained by using replacement components rated for higher voltage, wattage, etc. Replacement parts which have these special safety characteristics are identified in the Parts List of Service Manual. Electrical components having such features are identified by shading on the schematics and by (Δ) on the Parts List in the Service Manual. The use of a substitute replacement which does not have the same safety characteristics as the recommended replacement parts shown in the Parts List of Service Manual may create shock, fire, or other hazards.
- (4) The leads in the products are routed and dressed with ties, clamps, tubings, barriers and the like to be separated from live parts, high temperature parts, moving parts and/or sharp edges for the prevention of electric shock and fire hazard. When service is required, the original lead routing and dress should be observed, and it should be confirmed that they have been returned to normal, after reassembling.
- (5) Leakage shock hazard testing
After reassembling the product, always perform an isolation check on the exposed metal parts of the product (antenna terminals, knobs, metal cabinet, screw heads, headphone jack, control shafts, etc.) to be sure the product is safe to operate without danger of electrical shock. Do not use a line isolation transformer during this check.
 - Plug the AC line cord directly into the AC outlet. Using a "Leakage Current Tester", measure the leakage current from each exposed metal part of the cabinet, particularly any exposed metal part having a return path to the chassis, to a known good earth ground. Any leakage current must not exceed 0.5mA AC (r.m.s.).
 - Alternate check method
Plug the AC line cord directly into the AC outlet. Use an AC voltmeter having, 1,000 Ω per volt or more sensitivity in the following manner. Connect a 1,500 Ω 10W resistor paralleled by a 0.15 μ F AC-type capacitor between an exposed metal part and a known good earth ground. Measure the AC voltage across the resistor with the AC

voltmeter.

Move the resistor connection to each exposed metal part, particularly any exposed metal part having a return path to the chassis, and measure the AC voltage across the resistor. Now, reverse the plug in the AC outlet and repeat each measurement. Voltage measured any must not exceed 0.75 V AC (r.m.s.). This corresponds to 0.5 mA AC (r.m.s.).



1.2 Warning

- (1) This equipment has been designed and manufactured to meet international safety standards.
- (2) It is the legal responsibility of the repairer to ensure that these safety standards are maintained.
- (3) Repairs must be made in accordance with the relevant safety standards.
- (4) It is essential that safety critical components are replaced by approved parts.
- (5) If mains voltage selector is provided, check setting for local voltage.

1.3 Caution

Burrs formed during molding may be left over on some parts of the chassis.
Therefore, pay attention to such burrs in the case of pre-forming repair of this system.

1.4 Critical parts for safety

In regard with component parts appearing on the silk-screen printed side (parts side) of the PWB diagrams, the parts that are printed over with black such as the resistor (\blacksquare), diode (\blacksquare) and ICP (\bullet) or identified by the " Δ " mark nearby are critical for safety. When replacing them, be sure to use the parts of the same type and rating as specified by the manufacturer.
(This regulation does not Except the J and C version)

1.5 Important for laser products

1.CLASS 1 LASER PRODUCT

2.CAUTION :

(For U.S.A.) Visible and/or invisible class II laser radiation when open. Do not stare into beam.

(Others) Visible and/or invisible class 1M laser radiation when open. Do not view directly with optical instruments.

3.CAUTION : Visible and/or invisible laser radiation when open and inter lock failed or defeated. Avoid direct exposure to beam.

4.CAUTION : This laser product uses visible and/or invisible laser radiation and is equipped with safety switches which prevent emission of radiation when the drawer is open and the safety interlocks have failed or are defeated. It is dangerous to defeat the safety switches.

(For U.S.A.)

CAUTION : Visible and/or invisible class II laser radiation when open. Do not stare into beam.

(Others)

CAUTION : Visible and/or invisible class 1M laser radiation when open. Do not view directly with optical instruments

ACHTUNG: Sichtbare und/oder unsichtbare Laserstrahlung der Klasse 1M bei offenen Abdeckungen. Nicht direkt mit optischen Instrumenten betrachten.

ATTENTION: Rayonnement laser visible et/ou invisible de classe 1M une fois ouvert. Ne pas regarder directement avec des instruments optiques.

VOORZICHTIG: Zichtbare en/of onzichtbare klasse 1M laserstralen indien geopend. Bekijk niet direct met optische instrumenten.

ATTENZIONE: Radiazione laser in classe 1M visibile e/o invisibile quando aperto. Non osservare direttamente con strumenti ottici.

WARNING: Synlig och/eller osynlig laserstrålning, klass 1M, när denna del är öppnad. Betrakta ej strålen med optiska instrument.

VARO! Avattaessa olet alttiina nakyyvalle ja/tai näkymättömälle luokan 1M lasersäteilylle. Älä tarkastele sitä optisen laitteen läpi.

ADVASEL: Synlig og/eller usynlig klasse 1M-laserstråling ved åbning. Se ikke direkte med optiske instrumenter.

AVISO: Radiación láser de clase 1M visible y/o invisible cuando está abierto. No mirar directamente con instrumental óptico.

PRECAUÇÃO: Radiação laser de classe 1M visível e/ou invisível quando aberto. Não olhe diretamente com instrumentos ópticos.

5.CAUTION : If safety switches malfunction, the laser is able to function.

6.CAUTION : Use of controls, adjustments or performance of procedures other than those specified here in may result in hazardous radiation exposure.



CAUTION Please use enough caution not to see the beam directly or touch it in case of an adjustment or operation check.

PRECAUÇÃO: Radiação laser de classe 1M visível e/ou invisível quando aberto. Não olhe diretamente com instrumentos ópticos.

ПРЕДУПРЕЖДЕНИЕ: В открытом состоянии происходит видимое и/или невидимое излучение лазера класса 1M. Не смотрите непосредственно в оптические инструменты.

UWAGA: Otwarcie spowoduje narażenie na widzialne i/lub niewidzialne promieniowanie lasera klasy 1M. Nie patrzeć bezpośrednio w przyrządy optyczne.

UPOZORNĚNÍ: Při otevření vydává viditelné popř. neviditelné laserové ozáření třídy 1M. Nedívejte se do otvoru přímo s optickými nástroji.

FIGYELMEZTETÉS: Látható és/vagy láthatatlan 1M osztályú sugárzás nyitott állapotban. Ne nézze közvetlenül optikai műszerekkel.

注意: 打開蓋板可能會產生可見或不可見的 1M 級鐳射。不要使用光學儀器直接進行窺視。

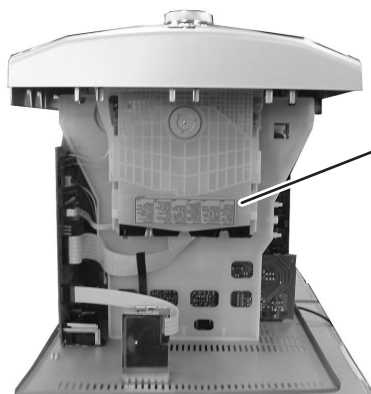
注意: 打开盖板可能会产生可见或不可见的 1M 级辐射。不要使用光学仪器直接进行窥视。

تنبيه: يوجد إشعاع ليزري مرئي و/أو غير مرئي من الفئة 1M عندما يكون الجهاز مفتوحاً. تجنب النظر مباشرة داخل الجهاز باستخدام أدوات بصرية.

احتياط: هنگامی که باز گردد، تشعشع مرئی و یا نامرئی کلاس 1M لیزر وجود دارد. با لوازم چشمی مستقیماً به آن نگاه نکنید.

주의: 개방하면 가지 및/또는 비가지 클래스 1M 레이저 방사선이 나옵니다. 광학 기구로 직접 들여다보지 마십시오.

REPRODUCTION AND POSITION OF LABELS and PRINT WARNING LABEL and PRINT



CAUTION VISIBLE AND/OR INVISIBLE CLASS 1M LASER RADIATION WHEN OPEN. DO NOT VIEW DIRECTLY WITH OPTICAL INSTRUMENTS. IEC80825-1:2001 (ENG)	ATTENTION RAYONNEMENT LASER VISIBLE ET/OU INVISIBLE DE CLASSE 1M UNE FOIS OUVERT. NE PAS REGARDER DIRECTEMENT AVEC DES INSTRUMENTS OPTIQUES. (FRA)	AVISO RADIACIÓN LÁSER DE CLASE 1M VISIBLE Y/O INVISIBLE CUANDO ESTA ABIERTO. NO MIRAR DIRECTAMENTE CON INSTRUMENTAL ÓPTICO. (ESP)	WARNING SYNLIG OCH/ELLER OSYNLIG LASERSTRÅLNING, KLASS 1M, NÄR DENNA DEL ÄR ÖPPNAD. BETRAKTA EJ STRÅLEN MED OPTISKA INSTRUMENT. (SWE)	注意 ここを覗くと可視 及び/または不可視 のクラス1M レーザー放射が 出ます。 光学装置で直接 見ないでください。 (JPN)	CAUTION VISIBLE AND/OR INVISIBLE CLASS II LASER RADIATION WHEN OPEN. DO NOT STARE INTO BEAM. FDA 21 CFR (ENG) LV44603-003A
--	--	---	---	--	---

CAUTION VISIBLE AND/OR INVISIBLE CLASS 1M LASER RADIATION WHEN OPEN. DO NOT VIEW DIRECTLY WITH OPTICAL INSTRUMENTS. IEC80825-1:2001 (ENG)

ATTENTION RAYONNEMENT LASER VISIBLE ET/OU INVISIBLE DE CLASSE 1M UNE FOIS OUVERT. NE PAS REGARDER DIRECTEMENT AVEC DES INSTRUMENTS OPTIQUES. (FRA)

AVISO RADIACIÓN LÁSER DE CLASE 1M VISIBLE Y/O INVISIBLE CUANDO ESTA ABIERTO. NO MIRAR DIRECTAMENTE CON INSTRUMENTAL ÓPTICO. (ESP)

WARNING SYNLIG OCH/ELLER OSYNLIG LASERSTRÅLNING, KLASS 1M, NÄR DENNA DEL ÄR ÖPPNAD. BETRAKTA EJ STRÅLEN MED OPTISKA INSTRUMENT. (SWE)
注意 ここを覗くと可視及び/または不可視のクラス1Mレーザー放射が出ます。光学装置で直接見ないでください。(JPN)

CAUTION VISIBLE AND/OR INVISIBLE CLASS II LASER RADIATION WHEN OPEN. DO NOT STARE INTO BEAM. (ENG)
FDA 21 CFR

**SECTION 2
SPECIFIC SERVICE INSTRUCTIONS**

Please refer to "MX-DK5 (No.MB523)" about this section.

**SECTION 3
DISASSEMBLY**

Please refer to "MX-DK5 (No.MB523)" about this section.

**SECTION 4
ADJUSTMENT**

Please refer to "MX-DK5 (No.MB523)" about this section.

**SECTION 5
TROUBLESHOOTING**

Please refer to "MX-DK5 (No.MB523)" about this section.



JVC

Victor Company of Japan, Limited
Audio/Video Systems Category 10-1, 1chome, Ohwatari-machi, Maebashi-city, 371-8543, Japan

(No.MB547)

PARTS LIST

MX-DK51EE, MX-DK51A, MX-DK51US
MX-DK51UX, MX-DK51UG, MX-DK51UN

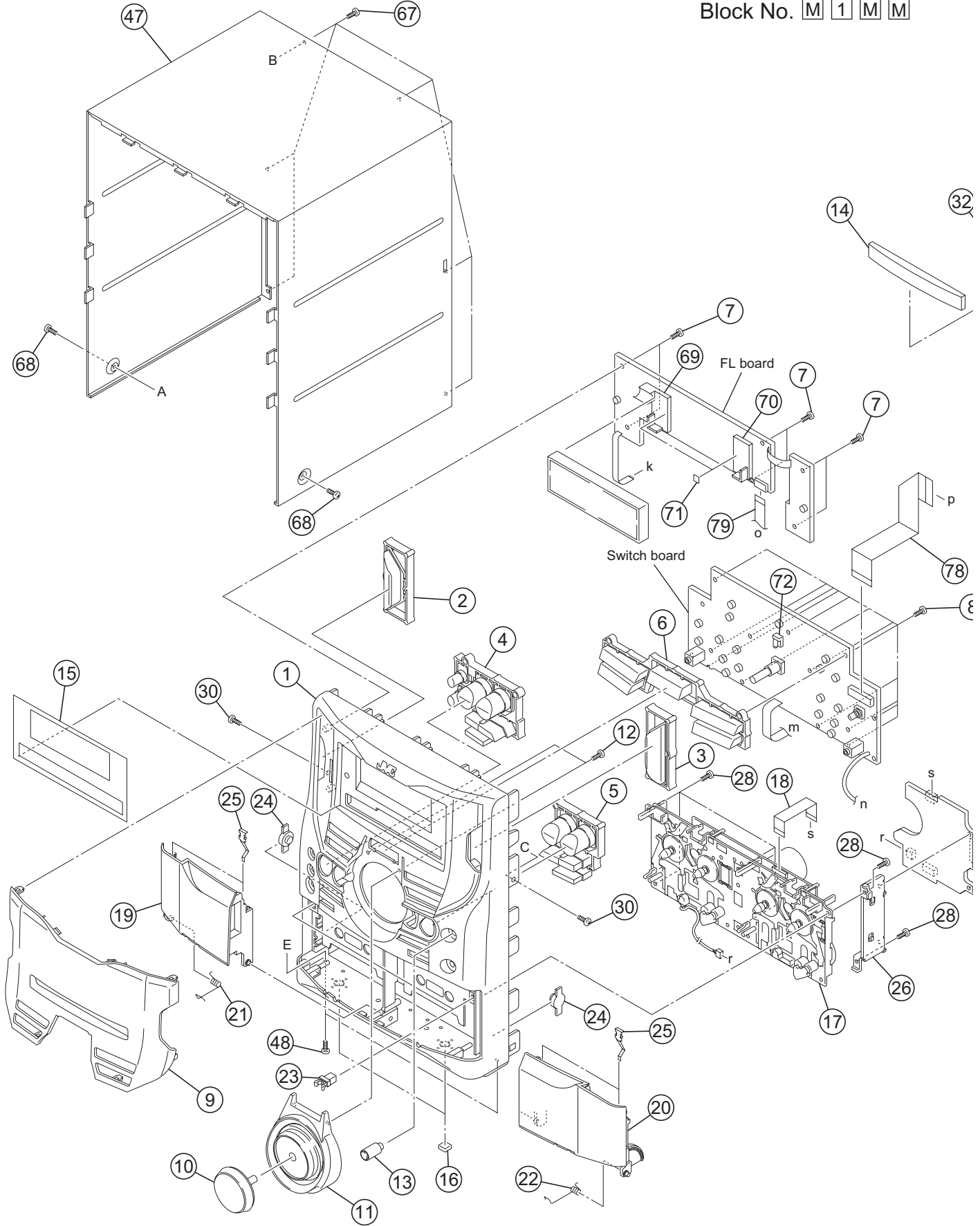
* All printed circuit boards and its assemblies are not available as service parts.

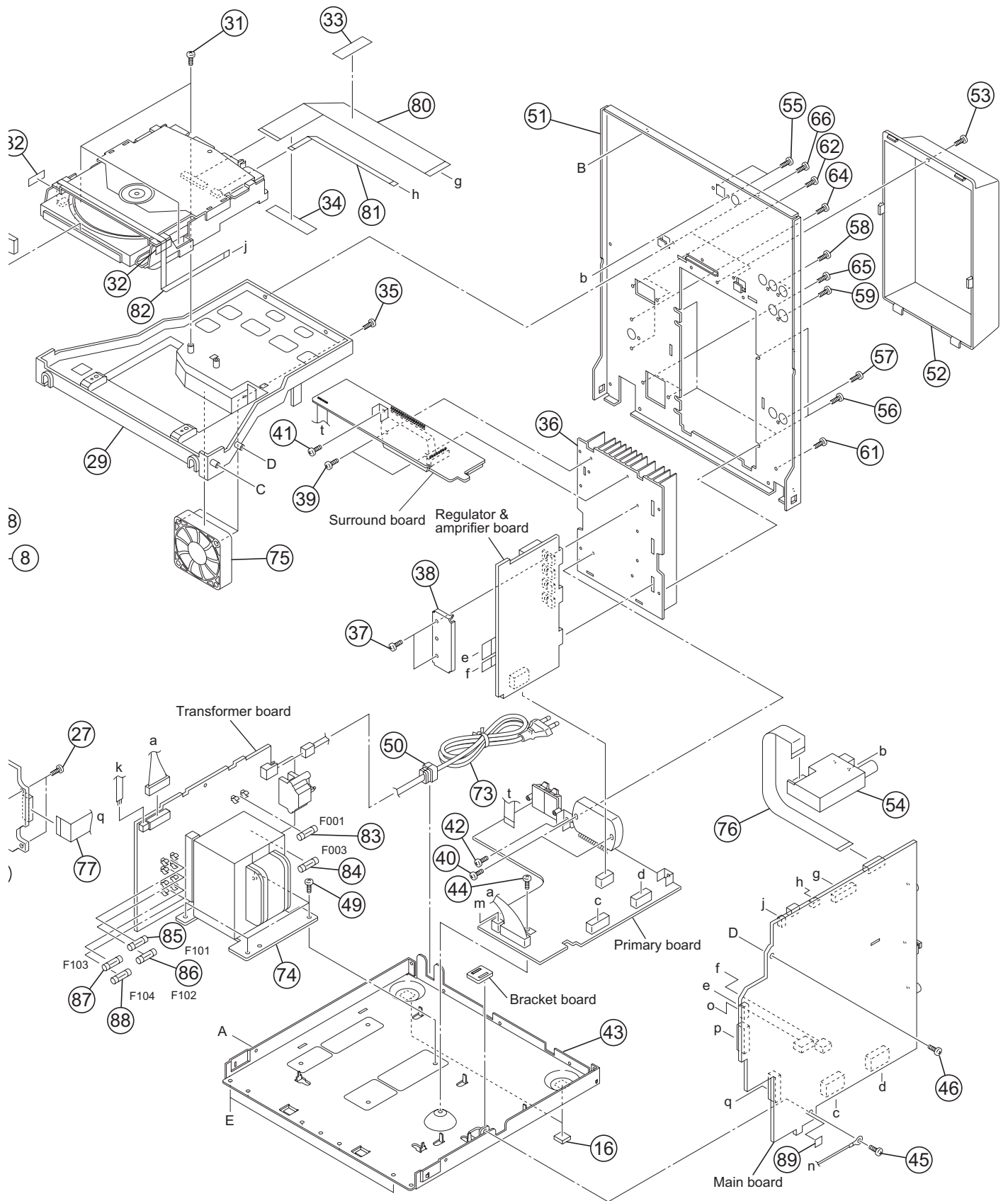
- Contents -

Exploded view of general assembly and parts list (Block No.M1)	3- 2
DVD mechanism assembly and parts list (Block No.MJ)	3- 6
DVD loading base assembly and parts list (Block No.MN)	3- 8
Electrical parts list (Block No.01~07)	3-10
Packing materials and accessories parts list (Block No.M3)	3-22

Exploded view of general assembly and parts list

Block No. M 1 M M





General Assembly

Block No. [M][1][M][M]

△	Symbol No.	Part No.	Part Name	Description	Local
	1	GV10328-015A	FRONT PANEL ASSY		DK51EE,DK51US,DK51UX,DK51UG,DK51UN
	1	GV10328-016A	FRONT PANEL ASSY		DK51A
	2	GV30871-001A	POWER BUTTON		
	3	GV30872-001A	EJECT BUTTON		
	4	GV30873-003A	BUTTON A		
	5	GV30874-007A	BUTTON B		
	6	GV20418-002A	FUNCTION BUTTON		
	7	QYSDSF2608ZA	TAP SCREW	M2.6 x 8mm(x6)	
	8	QYSDSF2608ZA	TAP SCREW	M2.6 x 8mm(x12)	
	9	GV10319-008A	FRONT LENS		
	10	GV30875-005A	VOLUME KNOB		
	11	GV30894-002A	V.ORNAMENT ASSY		
	12	QYSDSF2608ZA	TAP SCREW	M2.6 x 8mm(x2)	
	13	GV40083-004A	MIC.KNOB		DK51EE,DK51US,DK51UX,DK51UG,DK51UN
	14	GV30878-002A	TRAY FITTING		
	15	GV40706-003A	FL FILTER		
	16	GV40246-003A	FOOT SPACER	(x4)	
	17	QAL0789-001	ALPS MECHA		
	18	QUQU12-0706AJ-E	FFC WIRE	7pin 6cm	
	19	GV10321-002A	CASS.HOLDER(L)		
	20	GV10322-002A	CASS.HOLDER(R)		
	21	GV40694-001A	DOOR SPRING(L)		
	22	GV40695-001A	DOOR SPRING(R)		
	23	GV40220-001A	LACH	(x2)	
	24	GV40034-001A	DAMPER ASSY.	(x2)	
	25	VKY4180-401	CASSETTE SPRING	(x4)	
	26	GV30883-001A	PCB BRACKET		
	27	QYSDSG2606EA	TAP SCREW	M2.6 x 6mm(x2)	
	28	QYSBSF3010ZA	TAP SCREW	M3 x 10mm(x6)	
	29	GV10320-001A	CENTER CHASSIS		
	30	QYSSSF3010ZA	TAP SCREW	M3 x 10mm(x2)	
	31	QYSBSF3010ZA	TAP SCREW	M3 x 10mm(x3)	
	32	LV30225-011A	SPACER	(x2)	
	33	GV30349-047A	SPACER		
	34	GV30349-067A	SPACER		
	35	QYSBSF3035ZA	TAP SCREW	M3 x 35mm(x2)	
	36	GV30882-003A	HEAT SINK		
	37	QYSBSG3016EA	TAP SCREW	M3 x 16mm(x2)	
	38	GV40488-001A	LEAF SPRING		
	39	QYSBSG3016EA	TAP SCREW	M3 x 16mm(x2)	
	40	QYSBSG3016EA	TAP SCREW	M3 x 16mm(x2)	
	41	QYSBSG3010EA	TAP SCREW	M3 x 10mm	
	42	QYSBSG3010EA	TAP SCREW	M3 x 10mm	
	43	GV10323-001A	BOTTOM CHASSIS		
	44	QYSBSGG3008EA	TAP SCREW	M3 x 8mm	
	45	QYSBSGG3008EA	TAP SCREW	M3 x 8mm	
	46	QYSBSF3010ZA	TAP SCREW	M3 x 10mm	
	47	GV10217-007A/S/	METAL COVER		
	48	QYSBSG3010ZA	TAP SCREW	M3 x 10mm(x2)	
	49	QYSDSTL4008EA	TAP SCREW	M4 x 8mm(x4)	
△	50	QZW0033-001	STRAIN RELIEF		
	51	GV10324-015A	REAR PANEL		DK51EE
	51	GV10324-017A	REAR PANEL		DK51A
	51	GV10324-014A	REAR PANEL		DK51US,DK51UN
	51	GV10324-016A	REAR PANEL		DK51UX,DK51UG
	52	GV10325-001A	REAR COVER		
	53	QYSBSGY3008EA	TAP SCREW	M3 x 8mm	
	54	QAU0412-001	TUNER		
	55	QYSBSGY3008EA	TAP SCREW	M3 x 8mm(x2)	
	56	QYSBSGY3008EA	TAP SCREW	M3 x 8mm(x4)	
	57	QYSBSGY3008EA	TAP SCREW	M3 x 8mm	DK51EE,DK51US,DK51UX,DK51UG,DK51UN
	58	QYSBSGY3008EA	TAP SCREW	M3 x 8mm(x2)	
	59	QYSBSGY3008EA	TAP SCREW	M3 x 8mm	
	61	QYSBSGY3008EA	TAP SCREW	M3 x 8mm	
	62	QYSBSGY3008EA	TAP SCREW	M3 x 8mm(x2)	
	64	QYSBSGY3008EA	TAP SCREW	M3 x 8mm(x2)	
	65	QYSBSGY3008EA	TAP SCREW	M3 x 8mm(x2)	
	66	QYSBSGY3008EA	TAP SCREW	M3 x 8mm(x2)	
	67	QYSBSGY3008EA	TAP SCREW	M3 x 8mm(x6)	
	68	QYSDSG3006NA	TAP SCREW	M3 x 6mm(x2)	
	69	GV30880-001A	FL HOLDER A		
	70	GV30891-001A	FL HOLDER B		
	71	GV30349-048A	SPACER	(x2)	
	72	GV40411-001A	LED HOLDER		

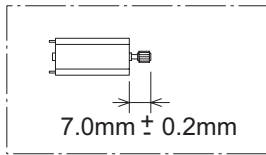
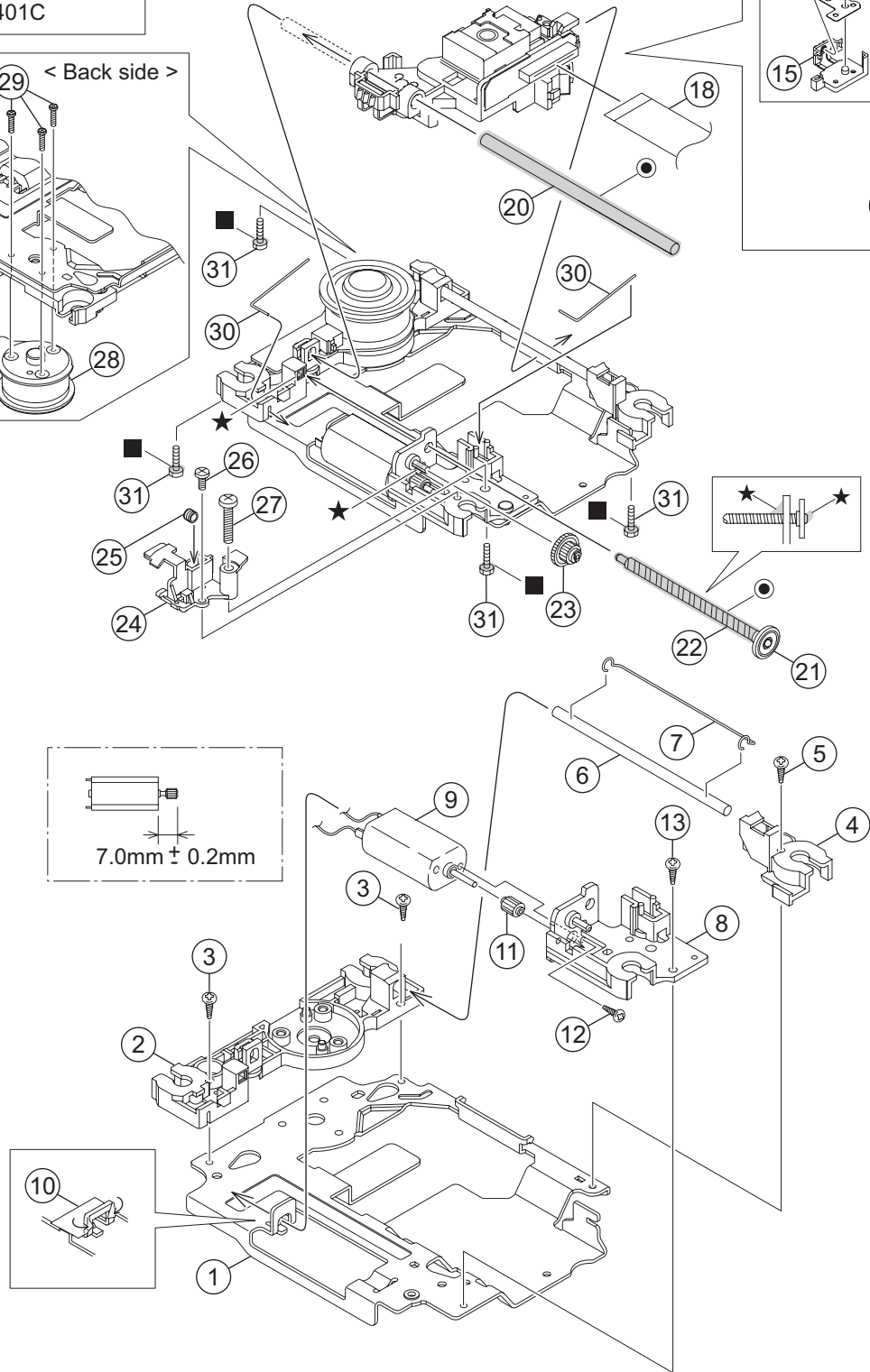
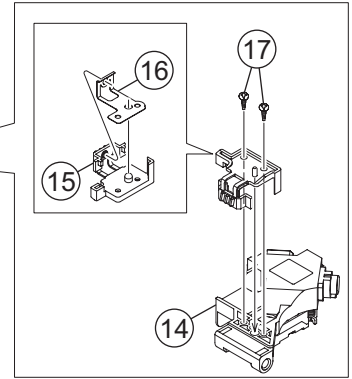
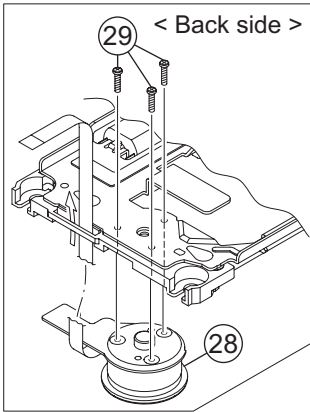
△	Symbol No.	Part No.	Part Name	Description	Local
△	73	QMPK200-200-JD	POWER CORD(EU)	2m BLACK	DK51EE,DK51US,DK51UX,DK51UG,DK51UN
△	73	QMPG150-244-JC	POWER CORD(AST)	2.44m BLACK	DK51A
△	74	QQT0506-001	POWER TRANSF	T1	
	75	QAR0405-001	FAN		
	76	QUQU12-1116AJ-E	FFC WIRE	11pin 16cm	
	77	QUQU12-1911AJ-E	FFC WIRE	19pin 11cm	
	78	QUQU12-1915BJ-E	FFC WIRE	19pin 15cm	
	79	QUQU12-0915BJ-E	FFC WIRE	9pin 15cm	
	80	QUR110-2522AJ-E	FFC WIRE		
	81	QUR110-1518AJ-E	FFC WIRE		
	82	QUR110-0530BJ-E	FFC WIRE		
△	83	QMF51W2-5R0-J8	FUSE	F001 5A AC250V	
△	84	QMF51W2-2R5-J8	FUSE	F003 2.5A AC250V	
△	85	QMF51W2-6R3-J8	FUSE	F101 6.3A AC250V	
△	86	QMF51W2-6R3-J8	FUSE	F102 6.3A AC250V	
△	87	QMF51W2-2R0-J8	FUSE	F103 2A AC250V	
△	88	QMF51W2-3R15-J8	FUSE	F104 3.15A AC250V	
	89	GV30349-048A	SPACER		

DVD mechanism assembly and parts list

Block No. M J M M

Grease
 ★ =JVG-31N
 ● =JVS-1003
 ■ =1401C

FXL-D10-1M



The parts without symbol number are not service.

DVD mechanism

Block No. [M][J][M][M]

△	Symbol No.	Part No.	Part Name	Description	Local
	1	LV22234-001A	TM.CHASSIS		
	2	LV22235-001A	SPINDLE BASE		
	3	QYSDST2005ZA	TAP SCREW	M2 x 5mm(x2)	
	4	LV36555-001A	G.S.HOLDER		
	5	QYSDST2005ZA	TAP SCREW	M2 x 5mm	
	6	LV44041-002A	GUIDE SHAFT		
	7	LV44479-001A	BAR SPRING		
	8	LV22236-001A	FEED HOLDER		
	9	QAR0165-001	FEED MOTOR		
	10	LV30225-0X5A	SPACER		
	11	LV36557-001A	F.M.GEAR		
	12	QYSPSPT2030MA	SCREW	M2 x 3mm	
	13	QYSDST2005ZA	TAP SCREW	M2 x 5mm	
	14	QAL0786-002	P.UP		
	15	LV22237-001A	RACK ARM		
	16	LV36560-001A	RACK ARM SPRING		
	17	QYSPSFU1740ZA	TAP SCREW	M1.7 x 4mm(x2)	
	18	QUQK05-2415AC-E	FFC WIRE	24pin 15cm	
	20	LV44041-002A	GUIDE SHAFT		
	21	LV36559-001A	L.S.GEAR		
	22	LV41517-003A	LEAD SCREW		
	23	LV36558-001A	MIDDLE GEAR		
	24	LV36556-001A	SPRING HOLDER		
	25	LV44623-001A	COMP.SPRING		
	26	QYSDST2005ZA	TAP SCREW	M2 x 5mm	
	27	QYSDST2616MA	TAP SCREW	M2.6 x 16mm	
	28	QAR0386-001	S.MOTOR		
	29	QYSPSPU1775ZA	SCREW	M1.7 x 7.5mm(x3)	
	30	LV44042-001A	ROD SPRING	(x2)	
	31	LV44046-001A	ADJUST SCREW	(x4)	

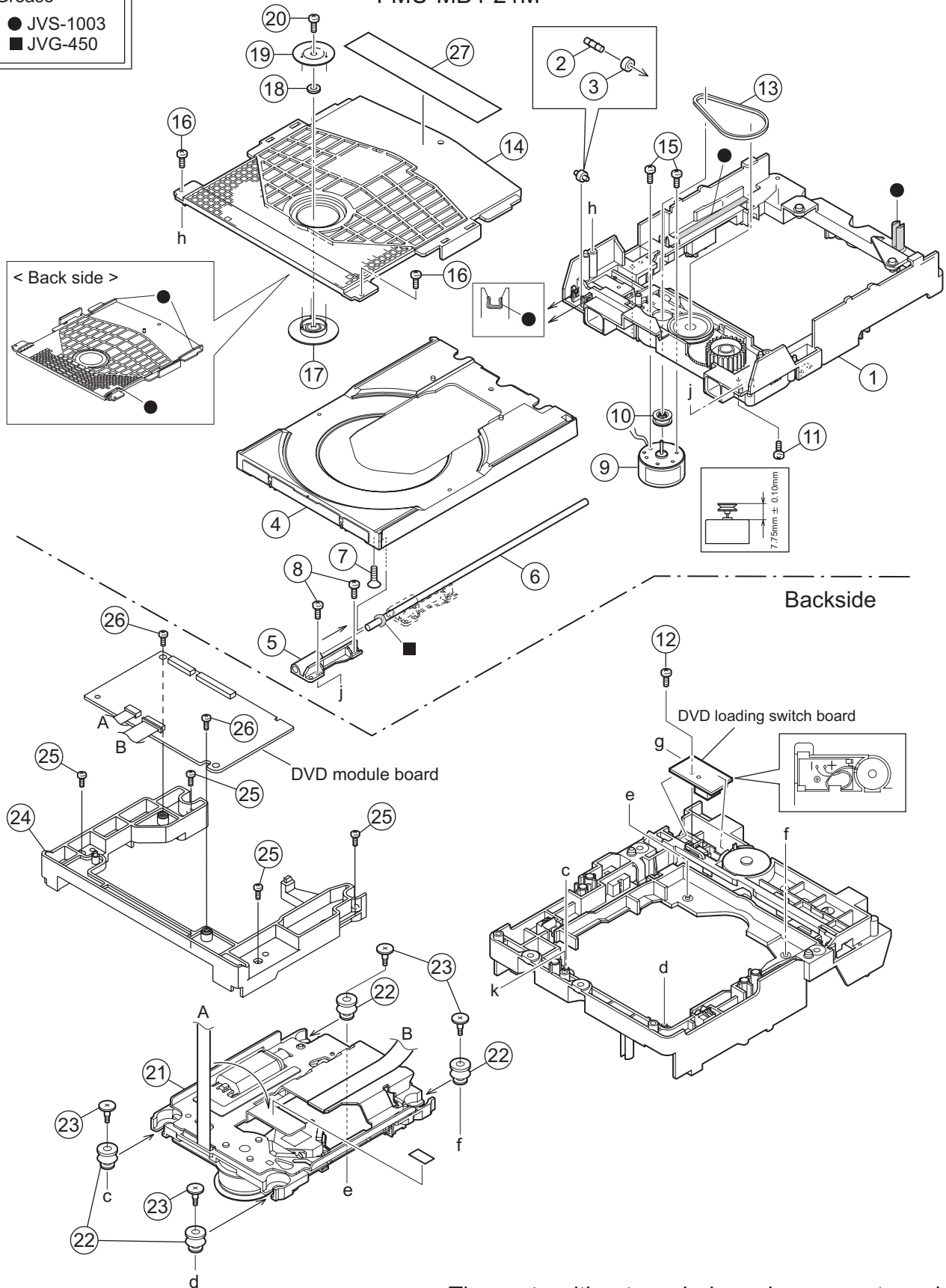
DVD loading base assembly and parts list

FMU-MB4-21M

Block No. M N M M

Grease

- JVS-1003
- JVG-450



The parts without symbol number are not service.

DVD loading base

Block No. [M][N][M][M]

△	Symbol No.	Part No.	Part Name	Description	Local
	1	LV11065-004A	LOADER SUB ASSY		
	2	E407140-001SS	C.D ROLLER		
	3	E407149-001SS	RUBBER TUBE		
	4	LV10979-002A	TRAY		
	5	LV35499-001A	SHAFT GUIDE		
	6	LV44022-001A	SHAFT		
	7	QYSSSF2008ZA	TAP SCREW	M2 x 8mm	
	8	QYSDSF2008ZA	TAP SCREW	M2 x 8mm(x2)	
	9	QAR0197-001	MOTOR		
	9	or QAR0280-001	LOADING MOTOR		
	10	LV43844-002A	MOTOR PULLEY		
	11	QYSPSPU1730ZA	SCREW	M1.7 x 3mm(x2)	
	12	QYSDSF2008ZA	TAP SCREW	M2 x 8mm	
	13	LV43974-001A	BELT		
	14	LV21852-003A	CLAMPER BASE		
	15	QYSDSF2008ZA	TAP SCREW	M2 x 8mm(x2)	
	16	LV41741-004A	SPECIAL SCREW		
	17	LV35056-002A	DVD CLAMPER		
	18	LV42930-003A	P.C.MAGNET		
	18	or LV41118-003A	MAGNET		
	19	LV43848-001A	YOKE		
	20	LE40906-002A	SPECIAL SCREW		
	21	-----	SINGLE DVD TRAM		
	22	LV44043-001A	INSULATOR	(x4)	
	23	LV44044-001A	SPECIAL SCREW	(x4)	
	24	LV11212-002A	CB HOLDER		
	25	QYSBSF2608ZA	TAP SCREW	M2.6 x 8mm(x4)	
	26	LV44209-001A	WASHER SCREW	(x2)	
	27	LV44603-001A	LASER CATION		

Electrical parts list

Power board

Block No. [0][1]

△ Symbol No.	Part No.	Part Name	Description	Local
△ IC119	STK413-400	IC		
△ IC160	KIA7809API	IC		
△ IC170	KIA7805API	IC		
△ IC180	KIA7812API	IC		
△ IC190	KIA7809API	IC		
△ IC195	KIA7805API	IC		
Q1030	KRA111M-T	DIGI TRANSISTOR		
Q1031	KTC2876-T	TRANSISTOR		
Q1032	KTC2876-T	TRANSISTOR		
Q1033	KTC2876-T	TRANSISTOR		
Q1034	KTC2876-T	TRANSISTOR		
Q1050	KTC3200/GL-T	TRANSISTOR		
Q1051	KTC3199/GL-T	TRANSISTOR		
Q1052	KTA1268/GL-T	TRANSISTOR		
Q1053	KTA1268/GL-T	TRANSISTOR		
Q1070	KTC3199/GL-T	TRANSISTOR		
Q1090	KTA1268/GL-T	TRANSISTOR		
Q1091	KTC1027/OY-T	TRANSISTOR		
Q1092	KTC3200/GL-T	TRANSISTOR		
Q1093	KTA1023/OY-T	TRANSISTOR		
Q1120	KTC3199/GL-T	TRANSISTOR		
Q1140	KTC3199/GL-T	TRANSISTOR		
Q1180	KTC3199/GL-T	TRANSISTOR		
△ Q1221	KTA1046/Y/	TRANSISTOR		
Q1222	KTC3199/GL-T	TRANSISTOR		
Q1223	KTC3199/GL-T	TRANSISTOR		
Q1295	KRC102M-T	DIGI TRANSISTOR		
△ Q2010	KTA1046/Y/	TRANSISTOR		
Q2011	KTC3203/OY-T	TRANSISTOR		
D1040	1SS133-T2	SI DIODE		
D1041	1SS133-T2	SI DIODE		
D1042	1SS133-T2	SI DIODE		
D1050	1SS133-T2	SI DIODE		
D1070	1SS133-T2	SI DIODE		
D1071	1SS133-T2	SI DIODE		
D1090	1SS133-T2	SI DIODE		
D1100	MTZJ15B-T2	Z DIODE		
D1101	MTZJ15B-T2	Z DIODE		
D1102	MTZJ36B-T2	Z DIODE		
D1103	MTZJ36B-T2	Z DIODE		
D1105	2A02-M	DIODE		
D1106	2A02-M	DIODE		
D1120	1SS133-T2	SI DIODE		
D1140	1SS133-T2	SI DIODE		
D1180	1SS133-T2	SI DIODE		
D1221	MTZJ5.6C-T2	Z DIODE		
D1222	2A02-M	DIODE		
D1260	MTZJ11B-T2	Z DIODE		
D1271	MTZJ6.8C-T2	Z DIODE		
D1280	MTZJ15B-T2	Z DIODE		
D1290	MTZJ11B-T2	Z DIODE		
D1295	1SS133-T2	SI DIODE		
D1296	MTZJ4.3B-T2	Z DIODE		
D1298	MTZJ2.0B-T2	Z DIODE		
△ D2010	1N5402M-20	SI DIODE		
△ D2011	1N5402M-20	SI DIODE		
△ D2012	1N5402M-20	SI DIODE		
△ D2013	1N5402M-20	SI DIODE		
D2015	1N4003S-T5	SI DIODE		
D2016	1N4003S-T5	SI DIODE		
D2017	1N4003S-T5	SI DIODE		
D2018	MTZJ33B-T2	Z DIODE		
D2020	MTZJ5.6B-T2	Z DIODE		
D2100	1N5402M-20	SI DIODE		
D2101	1N5402M-20	SI DIODE		
D2102	1N5402M-20	SI DIODE		
D2103	1N5402M-20	SI DIODE		
D2200	1N5402M-20	SI DIODE		
D2201	1N5402M-20	SI DIODE		
D2202	1N5402M-20	SI DIODE		

△ Symbol No.	Part No.	Part Name	Description	Local
D2203	1N5402M-20	SI DIODE		
C1001	QEZ0819-688	E CAPA	6800uF	
C1002	QEZ0819-688	E CAPA	6800uF	
C1010	QETM1HM-228	E CAPACITOR	2200uF 50V M	
C1011	QETM1HM-228	E CAPACITOR	2200uF 50V M	
C1050	QETN1EM-476Z	E CAPACITOR	47uF 25V M	
C1051	QETN1EM-476Z	E CAPACITOR	47uF 25V M	
C1052	QETN1HM-106Z	E CAPACITOR	10uF 50V M	
C1080	QCBB1HK-471Y	C CAPACITOR	470pF 50V K	
C1081	QTE1V06-106Z	E CAPACITOR	10uF 35V	
C1082	QCBB1HK-471Y	C CAPACITOR	470pF 50V K	
C1083	QTE1V06-106Z	E CAPACITOR	10uF 35V	
C1084	QCBB1HK-471Y	C CAPACITOR	470pF 50V K	
C1085	QTE1V06-106Z	E CAPACITOR	10uF 35V	
C1090	QETN1CM-107Z	E CAPACITOR	100uF 16V M	
C1091	QFZ0212-104Z	M CAPACITOR	0.1uF	
C1092	QFZ0212-104Z	M CAPACITOR	0.1uF	
C1120	QCSB1HK-4R7Y	C CAPACITOR	4.7pF 50V K	
C1122	QFLC1HJ-473Z	M CAPACITOR	0.047uF 50V J	
C1123	QFLC1HJ-473Z	M CAPACITOR	0.047uF 50V J	
C1124	QCBB1HK-221Y	C CAPACITOR	220pF 50V K	
C1140	QCSB1HK-4R7Y	C CAPACITOR	4.7pF 50V K	
C1142	QFLC1HJ-473Z	M CAPACITOR	0.047uF 50V J	
C1143	QFLC1HJ-473Z	M CAPACITOR	0.047uF 50V J	
C1144	QCBB1HK-221Y	C CAPACITOR	220pF 50V K	
C1160	QETN1JM-476Z	E CAPACITOR	47uF 63V M	
C1161	QETN1JM-476Z	E CAPACITOR	47uF 63V M	
C1162	QETN1JM-476Z	E CAPACITOR	47uF 63V M	
C1180	QCSB1HK-4R7Y	C CAPACITOR	4.7pF 50V K	
C1182	QFLC1HJ-473Z	M CAPACITOR	0.047uF 50V J	
C1183	QFLC1HJ-473Z	M CAPACITOR	0.047uF 50V J	
C1184	QCBB1HK-221Y	C CAPACITOR	220pF 50V K	
C1190	QETN1HM-105Z	E CAPACITOR	1uF 50V M	
C1221	QETM1EM-688	E CAPACITOR	6800uF 25V M	
C1222	QETM1CM-688	E CAPACITOR	6800uF 16V M	
C1225	QCBB1HK-103Y	C CAPACITOR	0.01uF 50V K	
C1226	QCBB1HK-221Y	C CAPACITOR	220pF 50V K	
C1260	QETN1HM-106Z	E CAPACITOR	10uF 50V M	
C1261	QETN1CM-227Z	E CAPACITOR	220uF 16V M	
C1270	QETN1HM-106Z	E CAPACITOR	10uF 50V M	
C1271	QETN1HM-106Z	E CAPACITOR	10uF 50V M	
C1280	QETN1HM-106Z	E CAPACITOR	10uF 50V M	
C1281	QETN1HM-106Z	E CAPACITOR	10uF 50V M	
C1290	QETN1HM-106Z	E CAPACITOR	10uF 50V M	
C1291	QETN1HM-106Z	E CAPACITOR	10uF 50V M	
C1295	QETN1HM-106Z	E CAPACITOR	10uF 50V M	
C1296	QETN1HM-106Z	E CAPACITOR	10uF 50V M	
C2010	QETN1JM-107Z	E CAPACITOR	100uF 63V M	
C2011	QETN2AM-476Z	E CAPACITOR	47uF 100V M	
C2012	QETN1HM-226Z	E CAPACITOR	22uF 50V M	
C2013	QETN1HM-226Z	E CAPACITOR	22uF 50V M	
C2014	QCBB1HK-103Y	C CAPACITOR	0.01uF 50V K	
C2015	QETN1HM-106Z	E CAPACITOR	10uF 50V M	
C2019	QFLC1HJ-104Z	M CAPACITOR	0.1uF 50V J	
△ C2020	QFZ0227-104Z	M CAPACITOR	0.1uF	
C2100	QFZ0228-104Z	M CAPACITOR	0.1uF	
C2200	QFZ0227-104Z	M CAPACITOR	0.1uF	
R1001	QRE141J-104Y	C RESISTOR	100kΩ 1/4W J	
R1002	QRE141J-104Y	C RESISTOR	100kΩ 1/4W J	
R1010	QRE141J-104Y	C RESISTOR	100kΩ 1/4W J	
R1011	QRE141J-104Y	C RESISTOR	100kΩ 1/4W J	
R1030	QRE141J-823Y	C RESISTOR	82kΩ 1/4W J	
R1031	QRE141J-823Y	C RESISTOR	82kΩ 1/4W J	
R1033	QRE141J-472Y	C RESISTOR	4.7kΩ 1/4W J	
R1034	QRE141J-472Y	C RESISTOR	4.7kΩ 1/4W J	
R1035	QRE141J-472Y	C RESISTOR	4.7kΩ 1/4W J	
R1036	QRE141J-472Y	C RESISTOR	4.7kΩ 1/4W J	
△ R1037	QRL01DJ-471X	OMF RESISTOR	470Ω 1W J	
△ R1038	QRL01DJ-471X	OMF RESISTOR	470Ω 1W J	
R1040	QRE141J-153Y	C RESISTOR	15kΩ 1/4W J	
R1041	QRE141J-272Y	C RESISTOR	2.7kΩ 1/4W J	
R1042	QRE141J-272Y	C RESISTOR	2.7kΩ 1/4W J	
R1043	QRE141J-153Y	C RESISTOR	15kΩ 1/4W J	
R1044	QRE141J-272Y	C RESISTOR	2.7kΩ 1/4W J	

△ Symbol No.	Part No.	Part Name	Description	Local	△ Symbol No.	Part No.	Part Name	Description	Local
R1045	QRE141J-153Y	C RESISTOR	15kΩ 1/4W J		L1180	QQLZ035-R39	COIL	0.39uH	
R1050	QRE141J-103Y	C RESISTOR	10kΩ 1/4W J		CN103	QGD2504C1-03Z	CONNECTOR	(1-3)	
R1051	QRE141J-104Y	C RESISTOR	100kΩ 1/4W J		CN110	QGB2510J1-12	CONNECTOR	B-B (1-12)	
R1052	QRE141J-104Y	C RESISTOR	100kΩ 1/4W J		△ CN119	QGA3901F1-08	CONNECTOR	W-B (1-8)	
R1053	QRE141J-103Y	C RESISTOR	10kΩ 1/4W J		CN120	QGB2510J1-07	CONNECTOR	B-B (1-7)	
R1054	QRE141J-104Y	C RESISTOR	100kΩ 1/4W J		CN130	QGB2510J1-08	CONNECTOR	B-B (1-8)	
R1055	QRE141J-103Y	C RESISTOR	10kΩ 1/4W J		CN140	QGD2504C1-03Z	CONNECTOR	(1-3)	
R1070	QRE141J-222Y	C RESISTOR	2.2kΩ 1/4W J		CN150	QGB2510K1-08	CONNECTOR	B-B (1-8)	
R1080	QRE141J-102Y	C RESISTOR	1kΩ 1/4W J		CN160	QGB2510K1-12	CONNECTOR	B-B (1-12)	
R1081	QRE141J-563Y	C RESISTOR	56kΩ 1/4W J		CN250	QGA7901F2-02	CONNECTOR	W-B (1-2)	
R1082	QRE141J-102Y	C RESISTOR	1kΩ 1/4W J		EP119	QNZ0136-001Z	EARTH PLATE		
R1083	QRE141J-563Y	C RESISTOR	56kΩ 1/4W J		EP120	E409182-001SM	GRAND TERMINAL		
R1084	QRE141J-563Y	C RESISTOR	56kΩ 1/4W J		EP121	GV40327-002A	IC BRD.HOLDER	EP 651	
R1085	QRE141J-102Y	C RESISTOR	1kΩ 1/4W J		FT111	QNG0003-001Z	FUSE CLIP		
R1090	QRE141J-104Y	C RESISTOR	100kΩ 1/4W J		FT112	QNG0003-001Z	FUSE CLIP		
R1091	QRE141J-103Y	C RESISTOR	10kΩ 1/4W J		FT113	QNG0003-001Z	FUSE CLIP		
R1092	QRE141J-103Y	C RESISTOR	10kΩ 1/4W J		FT132	QNG0003-001Z	FUSE CLIP		
R1093	QRE141J-103Y	C RESISTOR	10kΩ 1/4W J		FT151	QNG0003-001Z	FUSE CLIP		
R1094	QRE141J-103Y	C RESISTOR	10kΩ 1/4W J		FT152	QNG0003-001Z	FUSE CLIP		
△ R1095	QRJ146J-470X	UNF C RESISTOR	47Ω 1/4W J		FT511	QNG0003-001Z	FUSE CLIP		
△ R1096	QRJ146J-470X	UNF C RESISTOR	47Ω 1/4W J		FT512	QNG0003-001Z	FUSE CLIP		
R1097	QRE141J-222Y	C RESISTOR	2.2kΩ 1/4W J		FT521	QNG0003-001Z	FUSE CLIP		
R1100	QRE141J-682Y	C RESISTOR	6.8kΩ 1/4W J		FT522	QNG0003-001Z	FUSE CLIP		
R1101	QRE141J-682Y	C RESISTOR	6.8kΩ 1/4W J		FT531	QNG0003-001Z	FUSE CLIP		
R1102	QRE141J-682Y	C RESISTOR	6.8kΩ 1/4W J		FT532	QNG0003-001Z	FUSE CLIP		
R1103	QRE141J-682Y	C RESISTOR	6.8kΩ 1/4W J		FW100	QJK015-083324-E	WIRE		
△ R1104	QRJ146J-100X	UNF C RESISTOR	10Ω 1/4W J		FW150	QUM154-16DGZ4-E	FLAT WIRE		
△ R1120	QRZ0224-R22	EMIT RESISTOR	0.22Ω		FW160	QUM156-14DGZ4-E	FLAT WIRE		
R1121	QRE141J-563Y	C RESISTOR	56kΩ 1/4W J		FW170	QUM154-14DGZ4-E	FLAT WIRE		
R1122	QRE141J-202Y	C RESISTOR	2kΩ 1/4W J		J100	QNB0298-001	SPK TERMINAL		
R1123	QRE141J-202Y	C RESISTOR	2kΩ 1/4W J		RY110	QSK0127-001	RELAY		
R1124	QRE141J-102Y	C RESISTOR	1kΩ 1/4W J		RY120	QSK0127-001	RELAY		
△ R1125	QRJ146J-100X	UNF C RESISTOR	10Ω 1/4W J		S500	QSW0812-001	VOLTAGE SWITCH		
R1126	QRJ146J-100X	UNF C RESISTOR	10Ω 1/4W J						
R1127	QRE141J-562Y	C RESISTOR	5.6kΩ 1/4W J						
R1128	QRE141J-473Y	C RESISTOR	47kΩ 1/4W J						
R1129	QRE141J-104Y	C RESISTOR	100kΩ 1/4W J						
△ R1140	QRZ0224-R22	EMIT RESISTOR	0.22Ω						
R1141	QRE141J-563Y	C RESISTOR	56kΩ 1/4W J						
R1142	QRE141J-202Y	C RESISTOR	2kΩ 1/4W J						
R1143	QRE141J-202Y	C RESISTOR	2kΩ 1/4W J						
R1144	QRE141J-102Y	C RESISTOR	1kΩ 1/4W J						
△ R1145	QRJ146J-100X	UNF C RESISTOR	10Ω 1/4W J						
△ R1146	QRJ146J-100X	UNF C RESISTOR	10Ω 1/4W J						
R1147	QRE141J-562Y	C RESISTOR	5.6kΩ 1/4W J						
R1148	QRE141J-473Y	C RESISTOR	47kΩ 1/4W J						
R1149	QRE141J-104Y	C RESISTOR	100kΩ 1/4W J						
R1160	QRE141J-333Y	C RESISTOR	33kΩ 1/4W J						
△ R1161	QRJ146J-122X	UNF C RESISTOR	1.2kΩ 1/4W J						
△ R1162	QRJ146J-122X	UNF C RESISTOR	1.2kΩ 1/4W J						
△ R1163	QRJ146J-122X	UNF C RESISTOR	1.2kΩ 1/4W J						
△ R1180	QRZ0224-R22	EMIT RESISTOR	0.22Ω						
R1181	QRE141J-563Y	C RESISTOR	56kΩ 1/4W J						
R1182	QRE141J-202Y	C RESISTOR	2kΩ 1/4W J						
R1183	QRE141J-202Y	C RESISTOR	2kΩ 1/4W J						
R1184	QRE141J-102Y	C RESISTOR	1kΩ 1/4W J						
R1185	QRJ146J-100X	UNF C RESISTOR	10Ω 1/4W J						
△ R1186	QRJ146J-100X	UNF C RESISTOR	10Ω 1/4W J						
R1187	QRE141J-562Y	C RESISTOR	5.6kΩ 1/4W J						
R1188	QRE141J-473Y	C RESISTOR	47kΩ 1/4W J						
R1189	QRE141J-104Y	C RESISTOR	100kΩ 1/4W J						
R1221	QRE141J-102Y	C RESISTOR	1kΩ 1/4W J						
R1222	QRE141J-102Y	C RESISTOR	1kΩ 1/4W J						
R1223	QRE141J-102Y	C RESISTOR	1kΩ 1/4W J						
R1224	QRE141J-681Y	C RESISTOR	680Ω 1/4W J						
R1225	QRE141J-472Y	C RESISTOR	4.7kΩ 1/4W J						
R1226	QRE141J-272Y	C RESISTOR	2.7kΩ 1/4W J						
R1227	QRE141J-681Y	C RESISTOR	680Ω 1/4W J						
R1295	QRE141J-102Y	C RESISTOR	1kΩ 1/4W J						
△ R2010	QRJ146J-4R7X	UNF C RESISTOR	4.7Ω 1/4W J						
R2011	QRE141J-333Y	C RESISTOR	33kΩ 1/4W J						
R2012	QRE141J-103Y	C RESISTOR	10kΩ 1/4W J						
R2016	QRE141J-333Y	C RESISTOR	33kΩ 1/4W J						
△ R2017	QRJ146J-470X	UNF C RESISTOR	47Ω 1/4W J						
△ R2018	QRJ146J-470X	UNF C RESISTOR	47Ω 1/4W J						
L1120	QQLZ035-R39	COIL	0.39uH						
L1140	QQLZ035-R39	COIL	0.39uH						

Input board

Block No. [0][2]

△ Symbol No.	Part No.	Part Name	Description	Local
IC300	SN74AHCT08NS-XIC			
IC305	LB1641	IC		
IC325	KIA278R05PI	IC		
IC350	UPD78F0547GC	IC		
IC400	KIA4558F-X	IC		
IC410	KIA4558F-X	IC		DK51EE,DK51UX
IC410	NJM4565E-X	IC		DK51US,DK51UG,DK51UN
IC430	KIA4558F-X	IC		
IC450	KIA4558F-X	IC		
IC470	R2S15904SP-X	IC		
IC473	KTC812T-X	IC		
IC490	R2S15904SP-X	IC		
IC500	KTC812T-X	IC		
IC510	R2S15904SP-X	IC		
IC560	KIA4558F-X	IC		DK51EE,DK51A DK51UX
IC560	NJM4565E-X	IC		DK51US,DK51UG, DK51UN
IC580	KIA4558F-X	IC		DK51EE,DK51A, DK51UX
IC580	NJM4565E-X	IC		DK51US,DK51UG, DK51UN
IC600	KTC812T-X	IC		
IC610	KTC812T-X	IC		
IC620	KTC812T-X	IC		
IC640	KIA4558F-X	IC		
IC650	KIA4558F-X	IC		
IC700	BH7868FS-X	IC		
Q3100	KRA102S-X	DIGI TRANSISTOR		
Q3101	KRC102S-X	DIGI TRANSISTOR		
Q3300	KTC3203/OY-T	TRANSISTOR		
Q4000	KTC2875-X	CHIP TR.		
Q4001	KRA104S-X	DIGI TRANSISTOR		

△ Symbol No.	Part No.	Part Name	Description	Local	△ Symbol No.	Part No.	Part Name	Description	Local
Q4080	KRA104S-X	DIGI TRANSISTOR		DK51EE,DK51US, DK51UX,DK51UG, DK51UN	C4200	QETN1HM-226Z	E CAPACITOR	22uF 50V M	DK51EE,DK51US, DK51UX,DK51UG, DK51UN
Q4081	KTC2875-X	CHIP TR.		DK51EE,DK51US, DK51UX,DK51UG, DK51UN	C4201	QETN1HM-106Z	E CAPACITOR	10uF 50V M	DK51EE,DK51US, DK51UX,DK51UG, DK51UN
Q4730	KRA104S-X	DIGI TRANSISTOR			C4301	NDC31HJ-100X	C CAPACITOR	10pF 50V J	
Q5100	KTC2875-X	CHIP TR.			C4401	NDC31HJ-100X	C CAPACITOR	10pF 50V J	
Q5400	KTC3875/YG/-X	TRANSISTOR			C4501	QFVF1HJ-224Z	MF CAPACITOR	0.22uF 50V J	
Q5401	KTC3875/YG/-X	TRANSISTOR			C4502	QFLC1HJ-273Z	M CAPACITOR	0.027uF 50V J	
Q5402	KTC3875/YG/-X	TRANSISTOR			C4601	QFVF1HJ-224Z	MF CAPACITOR	0.22uF 50V J	
Q5500	KTC3875/YG/-X	TRANSISTOR			C4602	QFLC1HJ-273Z	M CAPACITOR	0.027uF 50V J	
Q5501	KTC3875/YG/-X	TRANSISTOR			C4701	QETN1HM-225Z	E CAPACITOR	2.2uF 50V M	
Q5502	KTC3875/YG/-X	TRANSISTOR			C4702	QETN1HM-106Z	E CAPACITOR	10uF 50V M	
Q6000	KRA104S-X	DIGI TRANSISTOR			C4703	QETN1HM-106Z	E CAPACITOR	10uF 50V M	
Q6200	KRA104S-X	DIGI TRANSISTOR			C4705	QETN1JM-476Z	E CAPACITOR	47uF 63V M	
D3050	MTZJ5.6B-T2	Z DIODE			C4707	QFLC1HJ-473Z	M CAPACITOR	0.047uF 50V J	
D3051	1N4003S-T5	SI DIODE			C4708	QFLC1HJ-103Z	M CAPACITOR	0.01uF 50V J	
D3100	MTZJ2.2A-T2	S.B.DIODE			C4710	QTE1H06-475Z	E CAPACITOR	4.7uF 50V	
D3101	1SS133-T2	SI DIODE			C4711	QETN1HM-105Z	E CAPACITOR	1uF 50V M	
D3200	1N4003S-T5	SI DIODE			C4722	QTE1C28-107Z	E CAPACITOR	100uF 16V	
D3201	1N4003S-T5	SI DIODE			C4723	QETN1JM-476Z	E CAPACITOR	47uF 63V M	
D3202	1N4003S-T5	SI DIODE			C4730	QETN1HM-105Z	E CAPACITOR	1uF 50V M	
D3250	MTZJ5.6C-T2	Z DIODE			C4734	QTE1H28-106Z	E CAPACITOR	10uF 50V	
D3251	1N4003S-T5	SI DIODE			C4735	NDC31HJ-471X	C CAPACITOR	470pF 50V J	
D3252	1N4003S-T5	SI DIODE			C4736	QETN1JM-476Z	E CAPACITOR	47uF 63V M	
D3253	1N4003S-T5	SI DIODE			C4801	QETN1HM-225Z	E CAPACITOR	2.2uF 50V M	
D3300	MTZJ5.1B-T2	Z DIODE			C4802	QETN1HM-106Z	E CAPACITOR	10uF 50V M	
D4000	1SS133-T2	SI DIODE			C4803	QETN1HM-106Z	E CAPACITOR	10uF 50V M	
D4001	1SS133-T2	SI DIODE			C4805	QETN1JM-476Z	E CAPACITOR	47uF 63V M	
D4730	1SS133-T2	SI DIODE			C4807	QFLC1HJ-473Z	M CAPACITOR	0.047uF 50V J	
D4731	1SS133-T2	SI DIODE			C4808	QFLC1HJ-103Z	M CAPACITOR	0.01uF 50V J	
D5300	1SS133-T2	SI DIODE			C4810	QTE1H06-475Z	E CAPACITOR	4.7uF 50V	
D6850	1SS133-T2	SI DIODE		DK51EE,DK51US, DK51UX,DK51UG, DK51UN	C4811	QETN1HM-105Z	E CAPACITOR	1uF 50V M	
D6851	1SS133-T2	SI DIODE		DK51EE,DK51US, DK51UX,DK51UG, DK51UN	C4834	QTE1H28-106Z	E CAPACITOR	10uF 50V	
C3000	NCB31HK-103X	C CAPACITOR	0.01uF 50V K		C4835	NDC31HJ-471X	C CAPACITOR	470pF 50V J	
C3050	NCB31HK-103X	C CAPACITOR	0.01uF 50V K		C4836	QETN1JM-476Z	E CAPACITOR	47uF 63V M	
C3051	NCB31CK-104X	C CAPACITOR	0.1uF 16V K		C4836	QETN1JM-476Z	E CAPACITOR	47uF 63V M	
C3052	QETN1CM-107Z	E CAPACITOR	100uF 16V M		C4900	QETN1HM-106Z	E CAPACITOR	10uF 50V M	
C3100	QETN1CM-107Z	E CAPACITOR	100uF 16V M		C4902	QETN1HM-106Z	E CAPACITOR	10uF 50V M	
C3101	NCB31HK-103X	C CAPACITOR	0.01uF 50V K		C4903	QETN1HM-104Z	E CAPACITOR	0.1uF 50V M	
C3102	NCB31HK-103X	C CAPACITOR	0.01uF 50V K		C4904	QETN1HM-105Z	E CAPACITOR	1uF 50V M	
C3103	QETN1HM-475Z	E CAPACITOR	4.7uF 50V M		C4922	QTE1C28-107Z	E CAPACITOR	100uF 16V	
C3250	QETN1HM-106Z	E CAPACITOR	10uF 50V M		C5000	QETN1HM-106Z	E CAPACITOR	10uF 50V M	
C3251	QETN1EM-477Z	E CAPACITOR	470uF 25V M		C5002	QETN1HM-106Z	E CAPACITOR	10uF 50V M	
C3300	QETN1EM-476Z	E CAPACITOR	47uF 25V M		C5003	QETN1HM-104Z	E CAPACITOR	0.1uF 50V M	
C3500	NDC31HJ-270X	C CAPACITOR	27pF 50V J		C5004	QETN1HM-105Z	E CAPACITOR	1uF 50V M	
C3501	NDC31HJ-270X	C CAPACITOR	27pF 50V J		C5100	QETN1HM-106Z	E CAPACITOR	10uF 50V M	
C3502	QETN1HM-474Z	E CAPACITOR	0.47uF 50V M		C5101	QETN1HM-105Z	E CAPACITOR	1uF 50V M	
C3503	QETN1CM-107Z	E CAPACITOR	100uF 16V M		C5102	QETN1HM-104Z	E CAPACITOR	0.1uF 50V M	
C4000	QETN1HM-475Z	E CAPACITOR	4.7uF 50V M		C5103	QETN1HM-105Z	E CAPACITOR	1uF 50V M	
C4001	QFLC1HJ-103Z	M CAPACITOR	0.01uF 50V J		C5122	QTE1C28-107Z	E CAPACITOR	100uF 16V	
C4002	QFVF1HJ-274Z	MF CAPACITOR	0.27uF 50V J		C5201	QETN1HM-475Z	E CAPACITOR	4.7uF 50V M	
C4004	QTE1V06-106Z	E CAPACITOR	10uF 35V		C5203	QETN1HM-475Z	E CAPACITOR	4.7uF 50V M	
C4005	QFLC1HJ-153Z	M CAPACITOR	0.015uF 50V J		C5300	QETN1HM-475Z	E CAPACITOR	4.7uF 50V M	
C4006	QETN1HM-106Z	E CAPACITOR	10uF 50V M		C5301	QETN1HM-105Z	E CAPACITOR	1uF 50V M	
C4050	QETN1VM-107Z	E CAPACITOR	100uF 35V M		C5600	QFLC1HJ-104Z	M CAPACITOR	0.1uF 50V J	
C4080	QETN1HM-106Z	E CAPACITOR	10uF 50V M	DK51EE,DK51US, DK51UX,DK51UG, DK51UN	C5601	QFLC1HJ-104Z	M CAPACITOR	0.1uF 50V J	
C4081	NCB31EK-683X	C CAPACITOR	0.068uF 25V K	DK51EE,DK51US, DK51UX,DK51UG, DK51UN	C5602	QETN1JM-476Z	E CAPACITOR	47uF 63V M	
C4082	QETN1HM-226Z	E CAPACITOR	22uF 50V M	DK51EE,DK51US, DK51UX,DK51UG, DK51UN	C5700	QFLC1HJ-104Z	M CAPACITOR	0.1uF 50V J	
C4100	QETN1HM-226Z	E CAPACITOR	22uF 50V M	DK51EE,DK51US, DK51UX,DK51UG, DK51UN	C5701	QFLC1HJ-104Z	M CAPACITOR	0.1uF 50V J	
C4101	QETN1HM-106Z	E CAPACITOR	10uF 50V M	DK51EE,DK51US, DK51UX,DK51UG, DK51UN	C5702	QETN1JM-476Z	E CAPACITOR	47uF 63V M	
C4121	QTE1V06-106Z	E CAPACITOR	10uF 35V	DK51EE,DK51US, DK51UX,DK51UG, DK51UN	C5800	NDC31HJ-100X	C CAPACITOR	10pF 50V J	
					C5801	QFVF1HJ-124Z	MF CAPACITOR	0.12uF 50V J	
					C5802	QFLC1HJ-153Z	M CAPACITOR	0.015uF 50V J	
					C6000	QETN1HM-106Z	E CAPACITOR	10uF 50V M	
					C6200	QETN1HM-106Z	E CAPACITOR	10uF 50V M	
					C6400	QETN1JM-476Z	E CAPACITOR	47uF 63V M	
					C6401	QFLC1HJ-223Z	M CAPACITOR	0.022uF 50V J	
					C6402	QFLC1HJ-223Z	M CAPACITOR	0.022uF 50V J	
					C6500	QTE1V06-106Z	E CAPACITOR	10uF 35V	
					C6502	NDC31HJ-151X	C CAPACITOR	150pF 50V J	
					C6600	QTE1V06-106Z	E CAPACITOR	10uF 35V	
					C6602	NDC31HJ-151X	C CAPACITOR	150pF 50V J	
					C6850	NCB31HK-222X	C CAPACITOR	2200pF 50V K	DK51EE,DK51US, DK51UX,DK51UG, DK51UN
					C7000	QETN0JM-477Z	E CAPACITOR	470uF 6.3V M	
					C7001	NCB31HK-103X	C CAPACITOR	0.01uF 50V K	
					C7002	NCB31HK-103X	C CAPACITOR	0.01uF 50V K	

△ Symbol No.	Part No.	Part Name	Description	Local	△ Symbol No.	Part No.	Part Name	Description	Local
C7003	QETN1EM-476Z	E CAPACITOR	47uF 25V M		R3603	NRSA63J-222X	MG RESISTOR	2.2kΩ 1/16W J	
C7005	QETN1HM-226Z	E CAPACITOR	22uF 50V M		R3604	NRSA63J-103X	MG RESISTOR	10kΩ 1/16W J	
C7006	NCB30JK-105X	C CAPACITOR	1uF 6.3V K		R3605	NRSA63J-103X	MG RESISTOR	10kΩ 1/16W J	
C7007	NCB30JK-105X	C CAPACITOR	1uF 6.3V K		R3606	NRSA63J-103X	MG RESISTOR	10kΩ 1/16W J	
C7008	NCB30JK-105X	C CAPACITOR	1uF 6.3V K		R3607	NRSA63J-103X	MG RESISTOR	10kΩ 1/16W J	
C7009	NCB31HK-103X	C CAPACITOR	0.01uF 50V K		R3608	NRSA63J-103X	MG RESISTOR	10kΩ 1/16W J	
C7010	QETN0JM-477Z	E CAPACITOR	470uF 6.3V M		R3609	NRSA63J-103X	MG RESISTOR	10kΩ 1/16W J	
C7011	QETN0JM-477Z	E CAPACITOR	470uF 6.3V M		R3610	NRSA63J-103X	MG RESISTOR	10kΩ 1/16W J	
C7012	QETN0JM-477Z	E CAPACITOR	470uF 6.3V M		R3611	NRSA63J-103X	MG RESISTOR	10kΩ 1/16W J	
C7500	QETN0JM-477Z	E CAPACITOR	470uF 6.3V M		R3612	NRSA63J-103X	MG RESISTOR	10kΩ 1/16W J	
C7501	NCB31HK-103X	C CAPACITOR	0.01uF 50V K		R3613	NRSA63J-103X	MG RESISTOR	10kΩ 1/16W J	
C7502	QETN0JM-477Z	E CAPACITOR	470uF 6.3V M		R3614	NRSA63J-103X	MG RESISTOR	10kΩ 1/16W J	
R3000	NRSA63J-331X	MG RESISTOR	330Ω 1/16W J		R3615	NRSA63J-103X	MG RESISTOR	10kΩ 1/16W J	
R3002	NRSA63J-222X	MG RESISTOR	2.2kΩ 1/16W J		R3616	NRSA63J-103X	MG RESISTOR	10kΩ 1/16W J	
R3003	NRSA63J-222X	MG RESISTOR	2.2kΩ 1/16W J		R3618	NRSA63J-103X	MG RESISTOR	10kΩ 1/16W J	
R3004	NRSA63J-222X	MG RESISTOR	2.2kΩ 1/16W J		R3619	NRSA63J-103X	MG RESISTOR	10kΩ 1/16W J	
R3005	NRSA63J-102X	MG RESISTOR	1kΩ 1/16W J		R3620	NRSA63J-103X	MG RESISTOR	10kΩ 1/16W J	
R3006	NRSA63J-102X	MG RESISTOR	1kΩ 1/16W J		R3621	NRSA63J-103X	MG RESISTOR	10kΩ 1/16W J	
R3007	NRSA63J-102X	MG RESISTOR	1kΩ 1/16W J		R4000	NRSA63J-102X	MG RESISTOR	1kΩ 1/16W J	
R3100	NRSA63J-102X	MG RESISTOR	1kΩ 1/16W J		R4001	NRSA63J-303X	MG RESISTOR	30kΩ 1/16W J	
R3101	NRSA63J-103X	MG RESISTOR	10kΩ 1/16W J		R4002	NRSA63J-132X	MG RESISTOR	1.3kΩ 1/16W J	
R3102	NRSA63J-103X	MG RESISTOR	10kΩ 1/16W J		R4003	NRSA63J-273X	MG RESISTOR	27kΩ 1/16W J	
R3103	NRSA63J-103X	MG RESISTOR	10kΩ 1/16W J		R4004	NRSA63J-103X	MG RESISTOR	10kΩ 1/16W J	
R3300	NRSA63J-102X	MG RESISTOR	1kΩ 1/16W J		R4005	NRSA63J-184X	MG RESISTOR	180kΩ 1/16W J	
R3301	NRSA63J-103X	MG RESISTOR	10kΩ 1/16W J		R4006	NRSA63J-104X	MG RESISTOR	100kΩ 1/16W J	
R3302	NRSA63J-222X	MG RESISTOR	2.2kΩ 1/16W J		R4007	NRSA63J-104X	MG RESISTOR	100kΩ 1/16W J	
R3350	NRSA63J-912X	MG RESISTOR	9.1kΩ 1/16W J		R4008	NRSA63J-104X	MG RESISTOR	100kΩ 1/16W J	
R3351	NRSA63J-203X	MG RESISTOR	20kΩ 1/16W J		R4009	NRSA63J-332X	MG RESISTOR	3.3kΩ 1/16W J	
R3450	NRSA63J-912X	MG RESISTOR	9.1kΩ 1/16W J		R4010	NRSA63J-102X	MG RESISTOR	1kΩ 1/16W J	
R3451	NRSA63J-203X	MG RESISTOR	20kΩ 1/16W J		R4011	NRSA63J-563X	MG RESISTOR	56kΩ 1/16W J	
R3500	NRSA63J-102X	MG RESISTOR	1kΩ 1/16W J		R4050	NRSA63J-102X	MG RESISTOR	1kΩ 1/16W J	
R3505	NRSA63J-102X	MG RESISTOR	1kΩ 1/16W J		R4051	NRSA63J-122X	MG RESISTOR	1.2kΩ 1/16W J	
R3507	NRSA63J-102X	MG RESISTOR	1kΩ 1/16W J		R4080	NRSA63J-102X	MG RESISTOR	1kΩ 1/16W J	DK51EE,DK51US, DK51UX,DK51UG, DK51UN
R3508	NRSA63J-102X	MG RESISTOR	1kΩ 1/16W J		R4081	NRSA63J-103X	MG RESISTOR	10kΩ 1/16W J	DK51EE,DK51US, DK51UX,DK51UG, DK51UN
R3511	NRSA63J-102X	MG RESISTOR	1kΩ 1/16W J		R4082	NRSA63J-104X	MG RESISTOR	100kΩ 1/16W J	DK51EE,DK51US, DK51UX,DK51UG, DK51UN
R3512	NRSA63J-201X	MG RESISTOR	200Ω 1/16W J		R4083	NRSA63J-102X	MG RESISTOR	1kΩ 1/16W J	DK51EE,DK51US, DK51UX,DK51UG, DK51UN
R3513	NRSA63J-102X	MG RESISTOR	1kΩ 1/16W J		R4101	QRE141J-912Y	C RESISTOR	9.1kΩ 1/4W J	
R3514	NRSA63J-102X	MG RESISTOR	1kΩ 1/16W J		R4102	NRSA63J-103X	MG RESISTOR	10kΩ 1/16W J	DK51EE,DK51US, DK51UX,DK51UG, DK51UN
R3519	NRSA63J-102X	MG RESISTOR	1kΩ 1/16W J		R4103	NRSA63J-103X	MG RESISTOR	10kΩ 1/16W J	DK51EE,DK51US, DK51UX,DK51UG, DK51UN
R3520	NRSA63J-102X	MG RESISTOR	1kΩ 1/16W J		R4104	NRSA63J-103X	MG RESISTOR	10kΩ 1/16W J	DK51EE,DK51US, DK51UX,DK51UG, DK51UN
R3521	NRSA63J-102X	MG RESISTOR	1kΩ 1/16W J		R4105	NRSA63J-332X	MG RESISTOR	3.3kΩ 1/16W J	
R3522	NRSA63J-102X	MG RESISTOR	1kΩ 1/16W J		R4201	QRE141J-912Y	C RESISTOR	9.1kΩ 1/4W J	
R3523	NRSA63J-102X	MG RESISTOR	1kΩ 1/16W J		R4202	NRSA63J-103X	MG RESISTOR	10kΩ 1/16W J	DK51EE,DK51US, DK51UX,DK51UG, DK51UN
R3524	NRSA63J-102X	MG RESISTOR	1kΩ 1/16W J		R4203	NRSA63J-103X	MG RESISTOR	10kΩ 1/16W J	DK51EE,DK51US, DK51UX,DK51UG, DK51UN
R3525	NRSA63J-102X	MG RESISTOR	1kΩ 1/16W J		R4204	NRSA63J-103X	MG RESISTOR	10kΩ 1/16W J	DK51EE,DK51US, DK51UX,DK51UG, DK51UN
R3526	NRSA63J-102X	MG RESISTOR	1kΩ 1/16W J		R4205	NRSA63J-332X	MG RESISTOR	3.3kΩ 1/16W J	
R3529	NRSA63J-102X	MG RESISTOR	1kΩ 1/16W J		R4300	NRSA63J-203X	MG RESISTOR	20kΩ 1/16W J	
R3530	NRSA63J-102X	MG RESISTOR	1kΩ 1/16W J		R4301	QRE141J-203Y	C RESISTOR	20kΩ 1/4W J	
R3531	NRSA63J-102X	MG RESISTOR	1kΩ 1/16W J		R4302	QRE141J-203Y	C RESISTOR	20kΩ 1/4W J	
R3532	NRSA63J-102X	MG RESISTOR	1kΩ 1/16W J		R4303	NRSA63J-512X	MG RESISTOR	5.1kΩ 1/16W J	
R3533	NRSA63J-102X	MG RESISTOR	1kΩ 1/16W J		R4400	NRSA63J-203X	MG RESISTOR	20kΩ 1/16W J	
R3534	NRSA63J-122X	MG RESISTOR	1.2kΩ 1/16W J		R4401	QRE141J-203Y	C RESISTOR	20kΩ 1/4W J	
R3535	NRSA63J-102X	MG RESISTOR	1kΩ 1/16W J		R4402	QRE141J-203Y	C RESISTOR	20kΩ 1/4W J	
R3536	NRSA63J-122X	MG RESISTOR	1.2kΩ 1/16W J		R4403	NRSA63J-512X	MG RESISTOR	5.1kΩ 1/16W J	
R3537	NRSA63J-102X	MG RESISTOR	1kΩ 1/16W J		R4502	NRSA63J-223X	MG RESISTOR	22kΩ 1/16W J	
R3538	NRSA63J-102X	MG RESISTOR	1kΩ 1/16W J		R4503	NRSA63J-223X	MG RESISTOR	22kΩ 1/16W J	
R3539	NRSA63J-102X	MG RESISTOR	1kΩ 1/16W J		R4602	NRSA63J-223X	MG RESISTOR	22kΩ 1/16W J	
R3540	NRSA63J-102X	MG RESISTOR	1kΩ 1/16W J		R4603	NRSA63J-223X	MG RESISTOR	22kΩ 1/16W J	
R3541	NRSA63J-102X	MG RESISTOR	1kΩ 1/16W J		R4700	NRSA63J-682X	MG RESISTOR	6.8kΩ 1/16W J	
R3542	NRSA63J-102X	MG RESISTOR	1kΩ 1/16W J		R4720	NRSA63J-102X	MG RESISTOR	1kΩ 1/16W J	
R3543	NRSA63J-102X	MG RESISTOR	1kΩ 1/16W J		R4721	NRSA63J-102X	MG RESISTOR	1kΩ 1/16W J	
R3544	NRSA63J-102X	MG RESISTOR	1kΩ 1/16W J						
R3545	NRSA63J-102X	MG RESISTOR	1kΩ 1/16W J						
R3546	NRSA63J-102X	MG RESISTOR	1kΩ 1/16W J						
R3547	NRSA63J-102X	MG RESISTOR	1kΩ 1/16W J						
R3548	NRSA63J-102X	MG RESISTOR	1kΩ 1/16W J						
R3549	NRSA63J-102X	MG RESISTOR	1kΩ 1/16W J						
R3550	NRSA63J-102X	MG RESISTOR	1kΩ 1/16W J						
R3551	NRSA63J-102X	MG RESISTOR	1kΩ 1/16W J						
R3552	NRSA63J-102X	MG RESISTOR	1kΩ 1/16W J						
R3554	NRSA63J-102X	MG RESISTOR	1kΩ 1/16W J						
R3555	NRSA63J-133X	MG RESISTOR	13kΩ 1/16W J						
R3556	NRSA63J-102X	MG RESISTOR	1kΩ 1/16W J						
R3557	NRSA63J-103X	MG RESISTOR	10kΩ 1/16W J						
R3600	NRSA63J-222X	MG RESISTOR	2.2kΩ 1/16W J						
R3601	NRSA63J-222X	MG RESISTOR	2.2kΩ 1/16W J						
R3602	NRSA63J-222X	MG RESISTOR	2.2kΩ 1/16W J						

△ Symbol No.	Part No.	Part Name	Description	Local
R4730	NRSA63J-102X	MG RESISTOR	1kΩ 1/16W J	
R4731	QRE141J-102Y	C RESISTOR	1kΩ 1/4W J	
R4732	NRSA63J-104X	MG RESISTOR	100kΩ 1/16W J	
R4733	NRSA63J-103X	MG RESISTOR	10kΩ 1/16W J	
R4800	NRSA63J-682X	MG RESISTOR	6.8kΩ 1/16W J	
R4831	QRE141J-102Y	C RESISTOR	1kΩ 1/4W J	
R4832	NRSA63J-104X	MG RESISTOR	100kΩ 1/16W J	
R4833	NRSA63J-103X	MG RESISTOR	10kΩ 1/16W J	
R4901	NRSA63J-102X	MG RESISTOR	1kΩ 1/16W J	
R4902	NRSA63J-103X	MG RESISTOR	10kΩ 1/16W J	
R4903	NRSA63J-103X	MG RESISTOR	10kΩ 1/16W J	
R4920	NRSA63J-102X	MG RESISTOR	1kΩ 1/16W J	
R4921	NRSA63J-102X	MG RESISTOR	1kΩ 1/16W J	
R5001	NRSA63J-102X	MG RESISTOR	1kΩ 1/16W J	
R5002	NRSA63J-103X	MG RESISTOR	10kΩ 1/16W J	
R5003	NRSA63J-103X	MG RESISTOR	10kΩ 1/16W J	
R5101	NRSA63J-102X	MG RESISTOR	1kΩ 1/16W J	
R5102	NRSA63J-103X	MG RESISTOR	10kΩ 1/16W J	
R5103	NRSA63J-103X	MG RESISTOR	10kΩ 1/16W J	
R5104	QRE141J-223Y	C RESISTOR	22kΩ 1/4W J	
R5120	NRSA63J-102X	MG RESISTOR	1kΩ 1/16W J	
R5121	NRSA63J-102X	MG RESISTOR	1kΩ 1/16W J	
R5201	NRSA63J-0R0X	MG RESISTOR	0Ω 1/16W J	
R5204	QRE141J-223Y	C RESISTOR	22kΩ 1/4W J	
R5300	QRE141J-562Y	C RESISTOR	5.6kΩ 1/4W J	
R5301	QRE141J-103Y	C RESISTOR	10kΩ 1/4W J	
R5302	QRE141J-823Y	C RESISTOR	82kΩ 1/4W J	
R5400	NRSA63J-224X	MG RESISTOR	220kΩ 1/16W J	
R5401	NRSA63J-101X	MG RESISTOR	100Ω 1/16W J	
R5402	NRSA63J-101X	MG RESISTOR	100Ω 1/16W J	
R5404	QRE141J-153Y	C RESISTOR	15kΩ 1/4W J	
R5500	NRSA63J-224X	MG RESISTOR	220kΩ 1/16W J	
R5501	NRSA63J-101X	MG RESISTOR	100Ω 1/16W J	
R5502	NRSA63J-101X	MG RESISTOR	100Ω 1/16W J	
R5504	QRE141J-153Y	C RESISTOR	15kΩ 1/4W J	
R5600	QRE141J-152Y	C RESISTOR	1.5kΩ 1/4W J	
R5601	NRSA63J-124X	MG RESISTOR	120kΩ 1/16W J	
R5602	QRE141J-472Y	C RESISTOR	4.7kΩ 1/4W J	
R5603	QRE141J-153Y	C RESISTOR	15kΩ 1/4W J	
R5700	QRE141J-152Y	C RESISTOR	1.5kΩ 1/4W J	
R5701	NRSA63J-124X	MG RESISTOR	120kΩ 1/16W J	
R5702	QRE141J-472Y	C RESISTOR	4.7kΩ 1/4W J	
R5703	QRE141J-153Y	C RESISTOR	15kΩ 1/4W J	
R5800	NRSA63J-123X	MG RESISTOR	12kΩ 1/16W J	
R5802	NRSA63J-0R0X	MG RESISTOR	0Ω 1/16W J	
R5803	QRE141J-223Y	C RESISTOR	22kΩ 1/4W J	
R5804	QRE141J-223Y	C RESISTOR	22kΩ 1/4W J	
R5820	NRSA63J-0R0X	MG RESISTOR	0Ω 1/16W J	
R6000	NRSA63J-102X	MG RESISTOR	1kΩ 1/16W J	
R6001	NRSA63J-103X	MG RESISTOR	10kΩ 1/16W J	
R6002	QRE141J-182Y	C RESISTOR	1.8kΩ 1/4W J	
R6003	QRE141J-102Y	C RESISTOR	1kΩ 1/4W J	
R6101	NRSA63J-103X	MG RESISTOR	10kΩ 1/16W J	
R6102	QRE141J-182Y	C RESISTOR	1.8kΩ 1/4W J	
R6103	QRE141J-102Y	C RESISTOR	1kΩ 1/4W J	
R6111	NRSA63J-103X	MG RESISTOR	10kΩ 1/16W J	
R6112	QRE141J-103Y	C RESISTOR	10kΩ 1/4W J	
R6113	QRE141J-102Y	C RESISTOR	1kΩ 1/4W J	
R6200	NRSA63J-102X	MG RESISTOR	1kΩ 1/16W J	
R6201	NRSA63J-103X	MG RESISTOR	10kΩ 1/16W J	
R6202	QRE141J-103Y	C RESISTOR	10kΩ 1/4W J	
R6203	QRE141J-102Y	C RESISTOR	1kΩ 1/4W J	
R6301	NRSA63J-103X	MG RESISTOR	10kΩ 1/16W J	
R6302	QRE141J-103Y	C RESISTOR	10kΩ 1/4W J	
R6303	QRE141J-102Y	C RESISTOR	1kΩ 1/4W J	
R6311	NRSA63J-103X	MG RESISTOR	10kΩ 1/16W J	
R6312	QRE141J-103Y	C RESISTOR	10kΩ 1/4W J	
R6313	QRE141J-102Y	C RESISTOR	1kΩ 1/4W J	
R6400	NRSA63J-103X	MG RESISTOR	10kΩ 1/16W J	
R6401	QRE141J-223Y	C RESISTOR	22kΩ 1/4W J	
R6402	QRE141J-223Y	C RESISTOR	22kΩ 1/4W J	
R6403	NRSA63J-243X	MG RESISTOR	24kΩ 1/16W J	
R6404	QRE141J-103Y	C RESISTOR	10kΩ 1/4W J	
R6420	NRSA63J-0R0X	MG RESISTOR	0Ω 1/16W J	
R6500	QRE141J-513Y	C RESISTOR	51kΩ 1/4W J	
R6501	QRE141J-223Y	C RESISTOR	22kΩ 1/4W J	
R6502	NRSA63J-393X	MG RESISTOR	39kΩ 1/16W J	
R6503	NRSA63J-513X	MG RESISTOR	51kΩ 1/16W J	

△ Symbol No.	Part No.	Part Name	Description	Local
R6520	NRSA63J-0R0X	MG RESISTOR	0Ω 1/16W J	
R6600	QRE141J-513Y	C RESISTOR	51kΩ 1/4W J	
R6601	QRE141J-223Y	C RESISTOR	22kΩ 1/4W J	
R6602	NRSA63J-393X	MG RESISTOR	39kΩ 1/16W J	
R6603	NRSA63J-513X	MG RESISTOR	51kΩ 1/16W J	
R6700	NRSA63J-183X	MG RESISTOR	18kΩ 1/16W J	DK51EE,DK51US,DK51UX,DK51UG,DK51UN
R6701	NRSA63J-823X	MG RESISTOR	82kΩ 1/16W J	DK51EE,DK51US,DK51UX,DK51UG,DK51UN
R6800	NRSA63J-183X	MG RESISTOR	18kΩ 1/16W J	DK51EE,DK51US,DK51UX,DK51UG,DK51UN
R6801	NRSA63J-823X	MG RESISTOR	82kΩ 1/16W J	DK51EE,DK51US,DK51UX,DK51UG,DK51UN
R7000	NRSA63J-201X	MG RESISTOR	200Ω 1/16W J	
R7002	NRSA63J-201X	MG RESISTOR	200Ω 1/16W J	
R7004	NRSA63J-181X	MG RESISTOR	180Ω 1/16W J	
R7005	NRSA63J-201X	MG RESISTOR	200Ω 1/16W J	
R7006	NRSA63J-181X	MG RESISTOR	180Ω 1/16W J	
R7007	NRSA63J-201X	MG RESISTOR	200Ω 1/16W J	
R7008	NRSA63J-751X	MG RESISTOR	750Ω 1/16W J	
R7009	NRSA63J-271X	MG RESISTOR	270Ω 1/16W J	
R7300	NRSA63J-750X	MG RESISTOR	75Ω 1/16W J	
R7301	NRSA63J-750X	MG RESISTOR	75Ω 1/16W J	
R7302	NRSA63J-750X	MG RESISTOR	75Ω 1/16W J	
R7500	NRSA63J-750X	MG RESISTOR	75Ω 1/16W J	
R7501	NRSA63J-750X	MG RESISTOR	75Ω 1/16W J	
R7502	NRSA63J-750X	MG RESISTOR	75Ω 1/16W J	
CN300	QGF1036C2-05	CONNECTOR	FFC/FPC (1-5)	
CN301	QGF1036C2-25	CONNECTOR	FFC/FPC (1-25)	
CN302	QGF1036C2-15	CONNECTOR	FFC/FPC (1-15)	
CN303	QGF1205C2-19	CONNECTOR	FFC/FPC (1-19)	
CN304	QGF1205F2-05	CONNECTOR	FFC/FPC (1-5)	
CN306	QGF1205C2-09	CONNECTOR	FFC/FPC (1-9)	
CN307	QGF1205C2-19	CONNECTOR	FFC/FPC (1-19)	
CN308	QGF1205C2-07	CONNECTOR	FFC/FPC (1-7)	
CN309	QGB2510K1-08	CONNECTOR	B-B (1-8)	
CN310	QGB2510J1-10	CONNECTOR	B-B (1-10)	
CN311	QGB2510K1-07	CONNECTOR	B-B (1-7)	
CN312	QGD2504C1-03Z	CONNECTOR	(1-3)	
CN313	QGD2504C1-03Z	CONNECTOR	(1-3)	
CN314	QGD2504C1-04Z	CONNECTOR	(1-4)	
CN330	QGA2501C1-03	CONNECTOR	W-B (1-3)	
CN335	QGF1205C2-11	CONNECTOR	FFC/FPC (1-11)	
HS325	LV40057-002A	HEAT SINK		
J6700	QNN0420-001	SURROUND JACK		DK51EE,DK51US,DK51UX,DK51UG,DK51UN
J7300	QNN0779-001	VIDEO JACK		
J7500	QNN0557-002	PIN JACK		
K3100	QQR0621-001Z	COIL		
K4730	NRSA63J-0R0X	MG RESISTOR	0Ω 1/16W J	
K4731	NRSA63J-0R0X	MG RESISTOR	0Ω 1/16W J	
SC325	QYSBSG3008ZA	TAP SCREW	M3 x 8mm	
X3500	QAX0724-001Z	CRYSTAL	12.000000MHZ	

Front board

Block No. [0][3]

△ Symbol No.	Part No.	Part Name	Description	Local
IC901	PT6315	IC		
IC902	GP1UM281XKVF	IR DETECT UNIT		
IC950	PT2399-S-W	ECHO IC		DK51EE,DK51US,DK51UX,DK51UG,DK51UN
IC960	KIA4558F-X	IC		DK51EE,DK51US,DK51UX,DK51UG,DK51UN
IC970	KIA4558F-X	IC		DK51A

△ Symbol No.	Part No.	Part Name	Description	Local	△ Symbol No.	Part No.	Part Name	Description	Local
Q9530	KTC3875/YG/-X	TRANSISTOR		DK51EE,DK51US, DK51UX,DK51UG, DK51UN	C9509	QEKC1CM-106Z	E CAPACITOR	10uF 16V M	DK51EE,DK51US, DK51UX,DK51UG, DK51UN
Q9531	KTC3875/YG/-X	TRANSISTOR		DK51EE,DK51US, DK51UX,DK51UG, DK51UN	C9510	QEKC1CM-106Z	E CAPACITOR	10uF 16V M	DK51EE,DK51US, DK51UX,DK51UG, DK51UN
Q9532	KTC3875/YG/-X	TRANSISTOR		DK51EE,DK51US, DK51UX,DK51UG, DK51UN	C9511	QEKC1HM-475Z	E CAPACITOR	4.7uF 50V M	DK51EE,DK51US, DK51UX,DK51UG, DK51UN
Q9601	KTC3875/YG/-X	TRANSISTOR		DK51EE,DK51US, DK51UX,DK51UG, DK51UN	C9512	NCB31HK-561X	C CAPACITOR	560pF 50V K	DK51EE,DK51US, DK51UX,DK51UG, DK51UN
Q9602	KTC3875/YG/-X	TRANSISTOR		DK51EE,DK51US, DK51UX,DK51UG, DK51UN	C9513	NCB31HK-392X	C CAPACITOR	3900pF 50V K	DK51EE,DK51US, DK51UX,DK51UG, DK51UN
D9000	SLI-343URC-W-T	LED			C9600	QEKC1AM-107Z	E CAPACITOR	100uF 10V M	DK51EE,DK51US, DK51UX,DK51UG, DK51UN
D9200	SELU1E54CM-P	LED			C9601	QEKC1HM-224Z	E CAPACITOR	0.22uF 50V M	DK51EE,DK51US, DK51UX,DK51UG, DK51UN
D9201	SELU2E10C-P	LED			C9602	QEKC1HM-104Z	E CAPACITOR	0.1uF 50V M	DK51EE,DK51US, DK51UX,DK51UG, DK51UN
D9500	MTZJ5.1B-T2	Z DIODE		DK51EE,DK51US, DK51UX,DK51UG, DK51UN	C9603	NCB31HK-104X	C CAPACITOR	0.1uF 50V K	DK51EE,DK51US, DK51UX,DK51UG, DK51UN
D9521	MTZJ3.9B-T2	Z DIODE		DK51EE,DK51US, DK51UX,DK51UG, DK51UN	C9604	NCB31HK-681X	C CAPACITOR	680pF 50V K	DK51EE,DK51US, DK51UX,DK51UG, DK51UN
D9522	MTZJ3.9B-T2	Z DIODE		DK51EE,DK51US, DK51UX,DK51UG, DK51UN	C9605	NDC31HJ-151X	C CAPACITOR	150pF 50V J	DK51EE,DK51US, DK51UX,DK51UG, DK51UN
D9523	MTZJ3.9B-T2	Z DIODE		DK51EE,DK51US, DK51UX,DK51UG, DK51UN	C9606	QEKC1CM-336Z	E CAPACITOR	33uF 16V M	DK51EE,DK51US, DK51UX,DK51UG, DK51UN
D9601	1SS133-T2	SI DIODE		DK51EE,DK51US, DK51UX,DK51UG, DK51UN	C9607	QEKC1HM-335Z	E CAPACITOR	3.3uF 50V M	DK51EE,DK51US, DK51UX,DK51UG, DK51UN
D9602	1SS133-T2	SI DIODE		DK51EE,DK51US, DK51UX,DK51UG, DK51UN	C9608	QEKC1AM-107Z	E CAPACITOR	100uF 10V M	DK51EE,DK51US, DK51UX,DK51UG, DK51UN
D9651	KDS4148U-X	DIODE		DK51A	C9631	NCB31HK-102X	C CAPACITOR	1000pF 50V K	DK51EE,DK51US, DK51UX,DK51UG, DK51UN
D9652	KDS4148U-X	DIODE		DK51A	C9632	NCB31HK-102X	C CAPACITOR	1000pF 50V K	DK51EE,DK51US, DK51UX,DK51UG, DK51UN
D9653	UDZW2.4B-X	Z DIODE		DK51EE,DK51US, DK51UX,DK51UG, DK51UN	C9633	NCB21HK-473X	C CAPACITOR	0.047uF 50V K	DK51EE,DK51US, DK51UX,DK51UG, DK51UN
D9899	MTZJ2.4B-T2	Z DIODE			C9634	QEKC1HM-104Z	E CAPACITOR	0.1uF 50V M	DK51EE,DK51US, DK51UX,DK51UG, DK51UN
C9001	NCB31HK-102X	C CAPACITOR	1000pF 50V K		C9635	NCB31HK-391X	C CAPACITOR	390pF 50V K	DK51EE,DK51US, DK51UX,DK51UG, DK51UN
C9002	QEKC1EM-106Z	E CAPACITOR	10uF 25V M		C9636	NCB31HK-391X	C CAPACITOR	390pF 50V K	DK51EE,DK51US, DK51UX,DK51UG, DK51UN
C9005	NCB31HK-471X	C CAPACITOR	470pF 50V K		C9637	NCB31HK-471X	C CAPACITOR	470pF 50V K	DK51EE,DK51US, DK51UX,DK51UG, DK51UN
C9091	QETN1HM-475Z	E CAPACITOR	4.7uF 50V M		C9651	NCB31HK-102X	C CAPACITOR	1000pF 50V K	DK51EE,DK51US, DK51UX,DK51UG, DK51UN
C9093	NCB31HK-103X	C CAPACITOR	0.01uF 50V K		C9700	QEKC1AM-107Z	E CAPACITOR	100uF 10V M	DK51A
C9094	QETN1HM-475Z	E CAPACITOR	4.7uF 50V M		C9701	QEKC1HM-475Z	E CAPACITOR	4.7uF 50V M	DK51A
C9096	QETN1HM-475Z	E CAPACITOR	4.7uF 50V M		C9702	QEKC1HM-475Z	E CAPACITOR	4.7uF 50V M	DK51A
C9097	QETN1HM-475Z	E CAPACITOR	4.7uF 50V M		C9899	NCB31HK-222X	C CAPACITOR	2200pF 50V K	
C9200	NCB31HK-103X	C CAPACITOR	0.01uF 50V K		R9001	NRSA63J-103X	MG RESISTOR	10kΩ 1/16W J	
C9401	NCB31HK-103X	C CAPACITOR	0.01uF 50V K		R9002	NRSA63J-221X	MG RESISTOR	220Ω 1/16W J	
C9402	NCB31HK-103X	C CAPACITOR	0.01uF 50V K		R9003	NRSA63J-102X	MG RESISTOR	1kΩ 1/16W J	
C9500	QEKC1CM-107Z	E CAPACITOR	100uF 16V M	DK51EE,DK51US, DK51UX,DK51UG, DK51UN	R9004	NRSA63J-102X	MG RESISTOR	1kΩ 1/16W J	
C9501	QEKC1CM-476Z	E CAPACITOR	47uF 16V M	DK51EE,DK51US, DK51UX,DK51UG, DK51UN	R9005	NRSA63J-102X	MG RESISTOR	1kΩ 1/16W J	
C9502	NCB31CK-104X	C CAPACITOR	0.1uF 16V K	DK51EE,DK51US, DK51UX,DK51UG, DK51UN	R9006	NRSA63J-330X	MG RESISTOR	33Ω 1/16W J	
C9503	NCB31CK-104X	C CAPACITOR	0.1uF 16V K	DK51EE,DK51US, DK51UX,DK51UG, DK51UN	R9007	NRSA63J-823X	MG RESISTOR	82kΩ 1/16W J	
C9504	NCB31CK-823X	C CAPACITOR	0.082uF 16V K	DK51EE,DK51US, DK51UX,DK51UG, DK51UN	R9102	NRSA63J-102X	MG RESISTOR	1kΩ 1/16W J	
C9505	NCB31CK-823X	C CAPACITOR	0.082uF 16V K	DK51EE,DK51US, DK51UX,DK51UG, DK51UN	R9103	NRSA63J-102X	MG RESISTOR	1kΩ 1/16W J	DK51EE,DK51US, DK51UX,DK51UG, DK51UN
C9506	NCB31HK-103X	C CAPACITOR	0.01uF 50V K	DK51EE,DK51US, DK51UX,DK51UG, DK51UN	R9103	NRSA63J-103X	MG RESISTOR	10kΩ 1/16W J	DK51A
C9507	NCB31HK-561X	C CAPACITOR	560pF 50V K	DK51EE,DK51US, DK51UX,DK51UG, DK51UN	R9104	NRSA63J-0R0X	MG RESISTOR	0Ω 1/16W J	DK51EE,DK51US
C9508	NCB31HK-332X	C CAPACITOR	3300pF 50V K	DK51EE,DK51US, DK51UX,DK51UG, DK51UN					

△ Symbol No.	Part No.	Part Name	Description	Local	△ Symbol No.	Part No.	Part Name	Description	Local
R9104	NRSA63J-302X	MG RESISTOR	3kΩ 1/16W J	DK51A					
R9104	NRSA63J-122X	MG RESISTOR	1.2kΩ 1/16W J	DK51UX,DK51UG,DK51UN	R9600	NRSA63J-221X	MG RESISTOR	220Ω 1/16W J	DK51EE,DK51US,DK51UX,DK51UG,DK51UN
R9105	NRSA63J-0R0X	MG RESISTOR	0Ω 1/16W J	DK51EE,DK51US,DK51UN	R9601	NRSA63J-104X	MG RESISTOR	100kΩ 1/16W J	DK51EE,DK51US,DK51UX,DK51UG,DK51UN
R9105	NRSA63J-512X	MG RESISTOR	5.1kΩ 1/16W J	DK51A	R9602	NRSA63J-102X	MG RESISTOR	1kΩ 1/16W J	DK51EE,DK51US,DK51UX,DK51UG,DK51UN
R9105	NRSA63J-152X	MG RESISTOR	1.5kΩ 1/16W J	DK51UX,DK51UG	R9603	NRSA63J-222X	MG RESISTOR	2.2kΩ 1/16W J	DK51EE,DK51US,DK51UX,DK51UG,DK51UN
R9198	NRSA63J-221X	MG RESISTOR	220Ω 1/16W J		R9604	NRSA63J-124X	MG RESISTOR	120kΩ 1/16W J	DK51EE,DK51US,DK51UX,DK51UG,DK51UN
R9199	NRSA63J-750X	MG RESISTOR	75Ω 1/16W J		R9605	NRSA63J-473X	MG RESISTOR	47kΩ 1/16W J	DK51EE,DK51US,DK51UX,DK51UG,DK51UN
R9200	NRSA63J-103X	MG RESISTOR	10kΩ 1/16W J		R9606	NRSA63J-104X	MG RESISTOR	100kΩ 1/16W J	DK51EE,DK51US,DK51UX,DK51UG,DK51UN
R9201	NRSA63J-102X	MG RESISTOR	1kΩ 1/16W J		R9607	NRSA63J-103X	MG RESISTOR	10kΩ 1/16W J	DK51EE,DK51US,DK51UX,DK51UG,DK51UN
R9202	NRSA63J-102X	MG RESISTOR	1kΩ 1/16W J		R9608	NRSA63J-103X	MG RESISTOR	10kΩ 1/16W J	DK51EE,DK51US,DK51UX,DK51UG,DK51UN
R9203	NRSA63J-122X	MG RESISTOR	1.2kΩ 1/16W J		R9609	NRSA63J-821X	MG RESISTOR	820Ω 1/16W J	DK51EE,DK51US,DK51UX,DK51UG,DK51UN
R9204	NRSA63J-152X	MG RESISTOR	1.5kΩ 1/16W J		R9610	NRSA63J-102X	MG RESISTOR	1kΩ 1/16W J	
R9205	NRSA63J-222X	MG RESISTOR	2.2kΩ 1/16W J		R9611	NRSA63J-102X	MG RESISTOR	1kΩ 1/16W J	
R9206	NRSA63J-272X	MG RESISTOR	2.7kΩ 1/16W J		R9612	NRSA63J-104X	MG RESISTOR	100kΩ 1/16W J	DK51EE,DK51US,DK51UX,DK51UG,DK51UN
R9207	NRSA63J-392X	MG RESISTOR	3.9kΩ 1/16W J		R9613	NRSA63J-472X	MG RESISTOR	4.7kΩ 1/16W J	DK51EE,DK51US,DK51UX,DK51UG,DK51UN
R9208	NRSA63J-562X	MG RESISTOR	5.6kΩ 1/16W J		R9614	NRSA63J-104X	MG RESISTOR	100kΩ 1/16W J	DK51EE,DK51US,DK51UX,DK51UG,DK51UN
R9209	NRSA63J-103X	MG RESISTOR	10kΩ 1/16W J		R9631	NRSA63J-472X	MG RESISTOR	4.7kΩ 1/16W J	DK51EE,DK51US,DK51UX,DK51UG,DK51UN
R9210	NRSA63J-183X	MG RESISTOR	18kΩ 1/16W J		R9632	NRSA63J-472X	MG RESISTOR	4.7kΩ 1/16W J	DK51EE,DK51US,DK51UX,DK51UG,DK51UN
R9211	NRSA63J-563X	MG RESISTOR	56kΩ 1/16W J		R9635	NRSA63J-104X	MG RESISTOR	100kΩ 1/16W J	DK51EE,DK51US,DK51UX,DK51UG,DK51UN
R9301	NRSA63J-102X	MG RESISTOR	1kΩ 1/16W J		R9636	NRSA63J-104X	MG RESISTOR	100kΩ 1/16W J	DK51EE,DK51US,DK51UX,DK51UG,DK51UN
R9302	NRSA63J-102X	MG RESISTOR	1kΩ 1/16W J		R9637	NRSA63J-563X	MG RESISTOR	56kΩ 1/16W J	DK51EE,DK51US,DK51UX,DK51UG,DK51UN
R9303	NRSA63J-122X	MG RESISTOR	1.2kΩ 1/16W J		R9700	NRSA63J-221X	MG RESISTOR	220Ω 1/16W J	DK51A
R9304	NRSA63J-152X	MG RESISTOR	1.5kΩ 1/16W J		R9701	NRSA63J-183X	MG RESISTOR	18kΩ 1/16W J	DK51A
R9305	NRSA63J-222X	MG RESISTOR	2.2kΩ 1/16W J		R9702	NRSA63J-183X	MG RESISTOR	18kΩ 1/16W J	DK51A
R9306	NRSA63J-272X	MG RESISTOR	2.7kΩ 1/16W J		R9703	NRSA63J-473X	MG RESISTOR	47kΩ 1/16W J	DK51A
R9307	NRSA63J-392X	MG RESISTOR	3.9kΩ 1/16W J		R9704	NRSA63J-473X	MG RESISTOR	47kΩ 1/16W J	DK51A
R9499	NRSA63J-121X	MG RESISTOR	120Ω 1/16W J		R9705	NRSA63J-823X	MG RESISTOR	82kΩ 1/16W J	DK51A
R9500	NRSA63J-101X	MG RESISTOR	100Ω 1/16W J		R9706	NRSA63J-823X	MG RESISTOR	82kΩ 1/16W J	DK51A
R9501	NRSA63J-912X	MG RESISTOR	9.1kΩ 1/16W J	DK51EE,DK51US,DK51UX,DK51UG,DK51UN	VR961	QVQ0320-B54	V RESISTOR		DK51EE,DK51US,DK51UX,DK51UG,DK51UN
R9502	NRSA63J-103X	MG RESISTOR	10kΩ 1/16W J	DK51EE,DK51US,DK51UX,DK51UG,DK51UN	L9501	QQR0621-001Z	COIL		DK51EE,DK51US,DK51UX,DK51UG,DK51UN
R9503	NRSA63J-103X	MG RESISTOR	10kΩ 1/16W J	DK51EE,DK51US,DK51UX,DK51UG,DK51UN	L9502	QQR0621-001Z	COIL		DK51EE,DK51US,DK51UX,DK51UG,DK51UN
R9504	NRSA63J-153X	MG RESISTOR	15kΩ 1/16W J	DK51EE,DK51US,DK51UX,DK51UG,DK51UN	CN900	QGF1205F2-09	CONNECTOR	FFC/FPC (1-9)	
R9505	NRSA63J-562X	MG RESISTOR	5.6kΩ 1/16W J	DK51EE,DK51US,DK51UX,DK51UG,DK51UN	CN920	QGF1205F2-19	CONNECTOR	FFC/FPC (1-19)	
R9506	NRSA63J-512X	MG RESISTOR	5.1kΩ 1/16W J	DK51EE,DK51US,DK51UX,DK51UG,DK51UN	FL900	QLF0167-001	FL TUBE		
R9507	NRSA63J-103X	MG RESISTOR	10kΩ 1/16W J	DK51EE,DK51US,DK51UX,DK51UG,DK51UN	FW900	QUM153-13DGZ4-E	FLAT WIRE		
R9508	NRSA63J-183X	MG RESISTOR	18kΩ 1/16W J	DK51EE,DK51US,DK51UX,DK51UG,DK51UN	FW980	QUM153-18DGZ4-E	FLAT WIRE		
R9509	NRSA63J-103X	MG RESISTOR	10kΩ 1/16W J	DK51EE,DK51US,DK51UX,DK51UG,DK51UN	FW981	QUM023-05Z4Z4-E	FLAT WIRE		
R9510	NRSA63J-183X	MG RESISTOR	18kΩ 1/16W J	DK51EE,DK51US,DK51UX,DK51UG,DK51UN	J961	QNS0231-001	JACK		DK51EE,DK51US,DK51UX,DK51UG,DK51UN
R9521	NRSA63J-223X	MG RESISTOR	22kΩ 1/16W J	DK51EE,DK51US,DK51UX,DK51UG,DK51UN					
R9522	NRSA63J-223X	MG RESISTOR	22kΩ 1/16W J	DK51EE,DK51US,DK51UX,DK51UG,DK51UN					
R9523	NRSA63J-223X	MG RESISTOR	22kΩ 1/16W J	DK51EE,DK51US,DK51UX,DK51UG,DK51UN					
R9530	NRSA63J-104X	MG RESISTOR	100kΩ 1/16W J	DK51EE,DK51US,DK51UX,DK51UG,DK51UN					
R9531	NRSA63J-682X	MG RESISTOR	6.8kΩ 1/16W J	DK51EE,DK51US,DK51UX,DK51UG,DK51UN					
R9532	NRSA63J-203X	MG RESISTOR	20kΩ 1/16W J	DK51EE,DK51US,DK51UX,DK51UG,DK51UN					
R9540	NRSA63J-102X	MG RESISTOR	1kΩ 1/16W J	DK51EE,DK51US,DK51UX,DK51UG,DK51UN					

△ Symbol No.	Part No.	Part Name	Description	Local	△ Symbol No.	Part No.	Part Name	Description	Local
J962	QNS0231-001	JACK			C8085	QETN1HM-106Z	E CAPACITOR	10uF 50V M	
J980	QNS0231-001	JACK			C8086	QETN1HM-106Z	E CAPACITOR	10uF 50V M	
JS940	QSW0857-001	ROTARY SW			C8099	QETN1HM-105Z	E CAPACITOR	1uF 50V M	
K9898	NQR0505-001X	RES. C.M			C8105	QDGB1HK-102Y	C CAPACITOR	1000pF 50V K	
S9101	QSW0683-001Z	PUSH SW I.M			C8106	QDGB1HK-102Y	C CAPACITOR	1000pF 50V K	
S9102	QSW0683-001Z	PUSH SW I.M			C8135	QDGB1HK-102Y	C CAPACITOR	1000pF 50V K	
S9201	QSW0683-001Z	PUSH SW I.M			C8136	QDGB1HK-102Y	C CAPACITOR	1000pF 50V K	
S9202	QSW0683-001Z	PUSH SW I.M			R8001	QRE141J-102Y	C RESISTOR	1kΩ 1/4W J	
S9203	QSW0683-001Z	PUSH SW I.M			R8002	QRE141J-102Y	C RESISTOR	1kΩ 1/4W J	
S9204	QSW0683-001Z	PUSH SW I.M			R8003	QRE141J-563Y	C RESISTOR	56kΩ 1/4W J	
S9205	QSW0683-001Z	PUSH SW I.M			R8004	QRE141J-563Y	C RESISTOR	56kΩ 1/4W J	
S9206	QSW0683-001Z	PUSH SW I.M			R8005	QRE141J-563Y	C RESISTOR	56kΩ 1/4W J	
S9207	QSW0683-001Z	PUSH SW I.M			R8006	QRE141J-563Y	C RESISTOR	56kΩ 1/4W J	
S9208	QSW0683-001Z	PUSH SW I.M			△ R8007	QRJ146J-100X	UNF C RESISTOR	10Ω 1/4W J	
S9209	QSW0683-001Z	PUSH SW I.M			△ R8008	QRJ146J-100X	UNF C RESISTOR	10Ω 1/4W J	
S9210	QSW0683-001Z	PUSH SW I.M			△ R8009	QRJ146J-122X	UNF C RESISTOR	1.2kΩ 1/4W J	
S9211	QSW0683-001Z	PUSH SW I.M			△ R8010	QRJ146J-122X	UNF C RESISTOR	1.2kΩ 1/4W J	
S9301	QSW0683-001Z	PUSH SW I.M			R8011	QRE141J-104Y	C RESISTOR	100kΩ 1/4W J	
S9302	QSW0683-001Z	PUSH SW I.M			R8012	QRE141J-104Y	C RESISTOR	100kΩ 1/4W J	
S9303	QSW0683-001Z	PUSH SW I.M			△ R8013	QRJ146J-100X	UNF C RESISTOR	10Ω 1/4W J	
S9304	QSW0683-001Z	PUSH SW I.M			△ R8014	QRJ146J-100X	UNF C RESISTOR	10Ω 1/4W J	
S9305	QSW0683-001Z	PUSH SW I.M			R8015	QRE141J-102Y	C RESISTOR	1kΩ 1/4W J	
S9306	QSW0683-001Z	PUSH SW I.M			R8016	QRE141J-102Y	C RESISTOR	1kΩ 1/4W J	
S9307	QSW0683-001Z	PUSH SW I.M			R8017	QRE141J-562Y	C RESISTOR	5.6kΩ 1/4W J	
TW962	QUB220-18HPDM-E.S.WIRE				R8018	QRE141J-562Y	C RESISTOR	5.6kΩ 1/4W J	
					R8019	QRE141J-473Y	C RESISTOR	47kΩ 1/4W J	
					R8020	QRE141J-473Y	C RESISTOR	47kΩ 1/4W J	
					R8031	QRE141J-102Y	C RESISTOR	1kΩ 1/4W J	
					R8033	QRE141J-563Y	C RESISTOR	56kΩ 1/4W J	
					R8035	QRE141J-563Y	C RESISTOR	56kΩ 1/4W J	
					△ R8037	QRJ146J-100X	UNF C RESISTOR	10Ω 1/4W J	
					△ R8039	QRJ146J-821X	UNF C RESISTOR	820Ω 1/4W J	
					R8041	QRE141J-104Y	C RESISTOR	100kΩ 1/4W J	
					△ R8043	QRJ146J-100X	UNF C RESISTOR	10Ω 1/4W J	
					R8045	QRE141J-102Y	C RESISTOR	1kΩ 1/4W J	
					R8047	QRE141J-562Y	C RESISTOR	5.6kΩ 1/4W J	
					R8049	QRE141J-473Y	C RESISTOR	47kΩ 1/4W J	
					△ R8071	QRT01DJ-R22X	MF RESISTOR	0.22Ω 1W J	
					△ R8072	QRT01DJ-R22X	MF RESISTOR	0.22Ω 1W J	
					△ R8073	QRT01DJ-R22X	MF RESISTOR	0.22Ω 1W J	
					△ R8081	QRJ146J-101X	UNF C RESISTOR	100Ω 1/4W J	
					R8083	QRE141J-333Y	C RESISTOR	33kΩ 1/4W J	
					△ R8084	QRJ146J-101X	UNF C RESISTOR	100Ω 1/4W J	
					△ R8088	QRJ146J-100X	UNF C RESISTOR	10Ω 1/4W J	
					R8091	QRE141J-103Y	C RESISTOR	10kΩ 1/4W J	
					R8092	QRE141J-103Y	C RESISTOR	10kΩ 1/4W J	
					R8100	QRE141J-222Y	C RESISTOR	2.2kΩ 1/4W J	
					R8105	QRE141J-912Y	C RESISTOR	9.1kΩ 1/4W J	
					R8106	QRE141J-912Y	C RESISTOR	9.1kΩ 1/4W J	
					R8107	QRE141J-332Y	C RESISTOR	3.3kΩ 1/4W J	
					R8108	QRE141J-332Y	C RESISTOR	3.3kΩ 1/4W J	
					R8135	QRE141J-432Y	C RESISTOR	4.3kΩ 1/4W J	
					R8137	QRE141J-272Y	C RESISTOR	2.7kΩ 1/4W J	
					R8171	QRL01DJ-101X	OMF RESISTOR	100Ω 1W J	
					R8172	QRL01DJ-101X	OMF RESISTOR	100Ω 1W J	
					R8181	QRL01DJ-101X	OMF RESISTOR	100Ω 1W J	
					R8182	QRL01DJ-101X	OMF RESISTOR	100Ω 1W J	
					R8191	QRL01DJ-220X	OMF RESISTOR	22Ω 1W J	
					R8192	QRL01DJ-220X	OMF RESISTOR	22Ω 1W J	
					L8001	QQLZ035-R39	COIL	0.39uH	
					L8002	QQLZ035-R39	COIL	0.39uH	
					L8003	QQLZ035-R39	COIL	0.39uH	
					CN800	QGB2510K1-10	CONNECTOR	B-B (1-10)	
					CN802	QGD2504C1-04Z	CONNECTOR	(1-4)	
					CN803	QGB2510J1-08	CONNECTOR	B-B (1-8)	
					EP810	GV40327-002A	IC BRD.HOLDER	EP 651	
					J810	QNB0287-001	SPK.TERMINAL		
					RY811	QSK0127-001	RELAY		
					RY812	QSK0127-001	RELAY		

Suurround board

Block No. [0][4]

△ Symbol No.	Part No.	Part Name	Description	Local
△ IC800	STK402-240	IC		
Q8001	KTC3199/GL-T	TRANSISTOR		
Q8002	KTC3199/GL-T	TRANSISTOR		
Q8003	KTC3199/GL-T	TRANSISTOR		
Q8091	KRC102M-T	DIGI TRANSISTOR		
Q8092	KTA1267/YG-T	TRANSISTOR		
Q8100	KTC3199/GL-T	TRANSISTOR		
D8001	1SS133-T2	SI DIODE		
D8002	1SS133-T2	SI DIODE		
D8003	1SS133-T2	SI DIODE		
D8081	MTZJ9.1B-T2	Z DIODE		
D8082	MTZJ9.1B-T2	Z DIODE		
D8101	1SS133-T2	SI DIODE		
D8102	1SS133-T2	SI DIODE		
D8103	1SS133-T2	SI DIODE		
D8104	1SS133-T2	SI DIODE		
D8105	1SS133-T2	SI DIODE		
C8001	QETN1HM-105Z	E CAPACITOR	1uF 50V M	
C8002	QETN1HM-105Z	E CAPACITOR	1uF 50V M	
C8003	QCBB1HK-221Y	C CAPACITOR	220pF 50V K	
C8004	QCBB1HK-221Y	C CAPACITOR	220pF 50V K	
C8005	QCBB1HK-221Y	C CAPACITOR	220pF 50V K	
C8006	QCBB1HK-221Y	C CAPACITOR	220pF 50V K	
C8007	QCSB1HJ-100Y	C CAPACITOR	10pF 50V J	
C8008	QCSB1HJ-100Y	C CAPACITOR	10pF 50V J	
C8009	QETN1JM-476Z	E CAPACITOR	47uF 63V M	
C8010	QETN1JM-476Z	E CAPACITOR	47uF 63V M	
C8011	QFLC1HJ-473Z	M CAPACITOR	0.047uF 50V J	
C8012	QFLC1HJ-473Z	M CAPACITOR	0.047uF 50V J	
C8013	QFLC1HJ-473Z	M CAPACITOR	0.047uF 50V J	
C8014	QFLC1HJ-473Z	M CAPACITOR	0.047uF 50V J	
C8031	QETN1HM-105Z	E CAPACITOR	1uF 50V M	
C8033	QCBB1HK-221Y	C CAPACITOR	220pF 50V K	
C8035	QCBB1HK-221Y	C CAPACITOR	220pF 50V K	
C8037	QCSB1HJ-100Y	C CAPACITOR	10pF 50V J	
C8039	QETN1JM-476Z	E CAPACITOR	47uF 63V M	
C8041	QFLC1HJ-473Z	M CAPACITOR	0.047uF 50V J	
C8043	QFLC1HJ-473Z	M CAPACITOR	0.047uF 50V J	
C8081	QETN1HM-107Z	E CAPACITOR	100uF 50V M	
C8084	QETN1HM-107Z	E CAPACITOR	100uF 50V M	

Cassette board

Block No. [0][5]

Symbol No.	Part No.	Part Name	Description	Local
IC200	HA12237F-E	IC		
Q110	KTA1271/OY-T	TRANSISTOR		
Q111	KRC107S-X	DIGI TRANSISTOR		
Q120	KTA1296/YI-T	TRANSISTOR		
Q121	KRC107S-X	DIGI TRANSISTOR		
Q150	KTA1296/YI-T	TRANSISTOR		
Q151	KRC107S-X	DIGI TRANSISTOR		
Q200	KRA102S-X	DIGI TRANSISTOR		
Q201	KTC2876-T	TRANSISTOR		
Q202	KTC2876-T	TRANSISTOR		
Q203	KTC2876-T	TRANSISTOR		
Q204	KTC2876-T	TRANSISTOR		
Q205	KRC107S-X	DIGI TRANSISTOR		
Q206	KRC107S-X	DIGI TRANSISTOR		
Q300	KTC3203/OY-T	TRANSISTOR		
Q301	KTC3203/OY-T	TRANSISTOR		
D121	1N4003S-T5	SI DIODE		
D122	1N4003S-T5	SI DIODE		
D151	1N4003S-T5	SI DIODE		
D152	1N4003S-T5	SI DIODE		
C110	QETN1HM-106Z	E CAPACITOR	10uF 50V M	
C122	QETN1CM-107Z	E CAPACITOR	100uF 16V M	
C202	NCB31HK-122X	C CAPACITOR	1200pF 50V K	
C203	NCB31HK-103X	C CAPACITOR	0.01uF 50V K	
C204	NCB31CK-104X	C CAPACITOR	0.1uF 16V K	
C205	QETN1HM-225Z	E CAPACITOR	2.2uF 50V M	
C206	NCB31CK-104X	C CAPACITOR	0.1uF 16V K	
C209	QETN1AM-227Z	E CAPACITOR	220uF 10V M	
C210	QETN1HM-105Z	E CAPACITOR	1uF 50V M	
C211	QETN1HM-106Z	E CAPACITOR	10uF 50V M	
C212	NCB31CK-104X	C CAPACITOR	0.1uF 16V K	
C213	QETN1HM-225Z	E CAPACITOR	2.2uF 50V M	
C214	NCB31CK-104X	C CAPACITOR	0.1uF 16V K	
C216	NCB31HK-272X	C CAPACITOR	2700pF 50V K	
C219	NCB31HK-103X	C CAPACITOR	0.01uF 50V K	
C220	QETN1HM-226Z	E CAPACITOR	22uF 50V M	
C221	QETN1HM-105Z	E CAPACITOR	1uF 50V M	
C222	QETN1HM-226Z	E CAPACITOR	22uF 50V M	
C223	NCB31HK-682X	C CAPACITOR	6800pF 50V K	
C224	NCB31HK-682X	C CAPACITOR	6800pF 50V K	
C225	NCB31HK-122X	C CAPACITOR	1200pF 50V K	
C226	QETN1EM-475Z	E CAPACITOR	4.7uF 25V M	
C227	QETN1EM-475Z	E CAPACITOR	4.7uF 25V M	
C228	QETN1CM-107Z	E CAPACITOR	100uF 16V M	
C231	NCB31HK-272X	C CAPACITOR	2700pF 50V K	
C232	NCB31HK-152X	C CAPACITOR	1500pF 50V K	
C233	NCB31HK-152X	C CAPACITOR	1500pF 50V K	
C236	NCB31HK-561X	C CAPACITOR	560pF 50V K	
C237	NCB31HK-561X	C CAPACITOR	560pF 50V K	
C238	NCB31HK-272X	C CAPACITOR	2700pF 50V K	
C239	NCB31HK-272X	C CAPACITOR	2700pF 50V K	
C300	QCBB1HK-331Y	C CAPACITOR	330pF 50V K	
C301	QCBB1HK-331Y	C CAPACITOR	330pF 50V K	
C303	QFG32AJ-273Z	PP CAPACITOR	0.027uF 100V J	
C304	QETN1CM-107Z	E CAPACITOR	100uF 16V M	
C306	QCBB1HK-223Y	C CAPACITOR	0.022uF 50V K	
C307	QDXB1CM-152Y	C CAPACITOR	1500pF 16V M	
R110	QRE141J-222Y	C RESISTOR	2.2kΩ 1/4W J	
R123	QRE141J-222Y	C RESISTOR	2.2kΩ 1/4W J	
R153	QRE141J-222Y	C RESISTOR	2.2kΩ 1/4W J	
R200	NRSA63J-822X	MG RESISTOR	8.2kΩ 1/16W J	
R201	NRSA63J-272X	MG RESISTOR	2.7kΩ 1/16W J	
R202	NRSA63J-222X	MG RESISTOR	2.2kΩ 1/16W J	
R204	NRSA63J-272X	MG RESISTOR	2.7kΩ 1/16W J	
R205	NRSA63J-273X	MG RESISTOR	27kΩ 1/16W J	
R206	NRSA63J-103X	MG RESISTOR	10kΩ 1/16W J	
R207	NRSA63J-101X	MG RESISTOR	100Ω 1/16W J	
R208	NRSA63J-104X	MG RESISTOR	100kΩ 1/16W J	
R209	QRE141J-223Y	C RESISTOR	22kΩ 1/4W J	
R211	NRSA63J-273X	MG RESISTOR	27kΩ 1/16W J	

Symbol No.	Part No.	Part Name	Description	Local
R212	NRSA63J-272X	MG RESISTOR	2.7kΩ 1/16W J	
R213	NRSA63J-222X	MG RESISTOR	2.2kΩ 1/16W J	
R214	NRSA63J-272X	MG RESISTOR	2.7kΩ 1/16W J	
R215	NRSA63J-822X	MG RESISTOR	8.2kΩ 1/16W J	
R216	NRSA63J-102X	MG RESISTOR	1kΩ 1/16W J	
R217	NRSA63J-102X	MG RESISTOR	1kΩ 1/16W J	
R218	NRSA63J-123X	MG RESISTOR	12kΩ 1/16W J	
R219	NRSA63J-123X	MG RESISTOR	12kΩ 1/16W J	
R220	NRSA63J-222X	MG RESISTOR	2.2kΩ 1/16W J	
R221	NRSA63J-222X	MG RESISTOR	2.2kΩ 1/16W J	
R222	QRE141J-472Y	C RESISTOR	4.7kΩ 1/4W J	
R223	QRE141J-472Y	C RESISTOR	4.7kΩ 1/4W J	
R224	QRE141J-472Y	C RESISTOR	4.7kΩ 1/4W J	
R225	QRE141J-472Y	C RESISTOR	4.7kΩ 1/4W J	
R226	QRE141J-221Y	C RESISTOR	220Ω 1/4W J	
R227	QRE141J-103Y	C RESISTOR	10kΩ 1/4W J	
R234	NRSA63J-104X	MG RESISTOR	100kΩ 1/16W J	
R235	NRSA63J-104X	MG RESISTOR	100kΩ 1/16W J	
R300	NRSA63J-153X	MG RESISTOR	15kΩ 1/16W J	
R301	NRSA63J-153X	MG RESISTOR	15kΩ 1/16W J	
△R302	QRZ9005-100X	FUSI RESISTOR	10Ω	
R303	QRE141J-101Y	C RESISTOR	100Ω 1/4W J	
R304	QRE141J-153Y	C RESISTOR	15kΩ 1/4W J	
R305	QRE141J-2R2Y	C RESISTOR	2.2Ω 1/4W J	
△R306	QRJ146J-4R7X	UNF C RESISTOR	4.7Ω 1/4W J	
R307	QRE141J-222Y	C RESISTOR	2.2kΩ 1/4W J	
R308	QRE141J-474Y	C RESISTOR	470kΩ 1/4W J	
VR300	QRE141J-103Y	C RESISTOR	10kΩ 1/4W J	
L236	QQL30BJ-103Z	COIL	10mH J	
L237	QQL30BJ-103Z	COIL	10mH J	
L300	QQR1118-002	OSC COIL(BIAS)		
L301	QQL244K-100Z	COIL	10uH K	
CN100	QGF1205F2-19	CONNECTOR	FFC/FPC (1-19)	
CN120	QGF1205F2-07	CONNECTOR	FFC/FPC (1-7)	
CN200	QGB2021L1-06	CONNECTOR	B-B (1-6)	
CN220	QGA2001F1-03	CONNECTOR	W-B (1-3)	

Connector board

Block No. [0][6]

Symbol No.	Part No.	Part Name	Description	Local
CN1	QGF1016F3-05	CONNECTOR	FFC/FPC (1-5)	
S1	QSW1074-001	DETECT SWITCH		

DVD module board

Block No. [0][7]

Symbol No.	Part No.	Part Name	Description	Local
IC201	LA6502-X	IC		
IC301	MN2DS0009AA	IC		
IC302	MM1701CH-X	IC		
IC305	MM1563BF-X	IC	3.1V Regulator	
IC453	S-80827CNNB-G-W	IC		
IC505	K4S641632H-UC75	IC		
IC505	or K4S641632K-UC75	IC		
IC509	-----	IC(MICRO C ROM)		
IC510	BR24L16F-W-X	IC		
IC701	AK4387ET-X	IC		
IC702	AK4387ET-X	IC		
IC703	AK4387ET-X	IC		
IC705	MM1615AN-X	IC		
Q101	KTA1001/YI-X	TRANSISTOR		
Q101	or 2SB1424/RI-W	TRANSISTOR		
Q102	2SC4617/RI-X	TRANSISTOR		
Q103	KTA1001/YI-X	TRANSISTOR		

△ Symbol No.	Part No.	Part Name	Description	Local	△ Symbol No.	Part No.	Part Name	Description	Local
Q103	or 2SB1424/R/-W	TRANSISTOR			C372	NCF31EZ-104X	C CAPACITOR	0.1uF 25V Z	
Q104	2SC4617/R/-X	TRANSISTOR			C375	NCF31EZ-104X	C CAPACITOR	0.1uF 25V Z	
C101	NCF31EZ-104X	C CAPACITOR	0.1uF 25V Z		C376	NCF31EZ-104X	C CAPACITOR	0.1uF 25V Z	
C102	NCF31EZ-104X	C CAPACITOR	0.1uF 25V Z		C377	NCF31EZ-104X	C CAPACITOR	0.1uF 25V Z	
C103	NCF31EZ-104X	C CAPACITOR	0.1uF 25V Z		C379	NCF31EZ-104X	C CAPACITOR	0.1uF 25V Z	
C104	NCF31EZ-104X	C CAPACITOR	0.1uF 25V Z		C380	NCB21CK-105X	C CAPACITOR	1uF 16V K	
C105	NEAF0JM-476X	E CAPACITOR	47uF 6.3V M		C381	NCB21AK-225X	C CAPACITOR	2.2uF 10V K	
C106	NBE20JM-226X	TA E CAPACITOR	22uF 6.3V M		C382	NCB31HK-471X	C CAPACITOR	470pF 50V K	
C107	NCF31EZ-104X	C CAPACITOR	0.1uF 25V Z		C383	NCF31EZ-104X	C CAPACITOR	0.1uF 25V Z	
C108	NBE20JM-226X	TA E CAPACITOR	22uF 6.3V M		C386	NCF31EZ-104X	C CAPACITOR	0.1uF 25V Z	
C201	NDC31HJ-221X	C CAPACITOR	220pF 50V J		C393	NCB31HK-103X	C CAPACITOR	0.01uF 50V K	
C202	NDC31HJ-221X	C CAPACITOR	220pF 50V J		C455	NCB31HK-103X	C CAPACITOR	0.01uF 50V K	
C203	NCB31HK-103X	C CAPACITOR	0.01uF 50V K		C551	NCF31EZ-104X	C CAPACITOR	0.1uF 25V Z	
C204	NCF31EZ-104X	C CAPACITOR	0.1uF 25V Z		C554	NCF31EZ-104X	C CAPACITOR	0.1uF 25V Z	
C205	NCB31HK-271X	C CAPACITOR	270pF 50V K		C555	NCF31EZ-104X	C CAPACITOR	0.1uF 25V Z	
C206	NDC31HJ-151X	C CAPACITOR	150pF 50V J		C557	NCB31HK-102X	C CAPACITOR	1000pF 50V K	
C210	NCF31AZ-105X	C CAPACITOR	1uF 10V Z		C558	NBE20JM-226X	TA E CAPACITOR	22uF 6.3V M	
C211	NCB31HK-223X	C CAPACITOR	0.022uF 50V K		C559	NCF31EZ-104X	C CAPACITOR	0.1uF 25V Z	
C217	NCF31EZ-104X	C CAPACITOR	0.1uF 25V Z		C560	NCF31EZ-104X	C CAPACITOR	0.1uF 25V Z	
C251	NCB31AK-474X	C CAPACITOR	0.47uF 10V K		C562	NCF31AZ-105X	C CAPACITOR	1uF 10V Z	
C256	NCB31CK-104X	C CAPACITOR	0.1uF 16V K		C563	NCF31EZ-104X	C CAPACITOR	0.1uF 25V Z	
C257	NCB31HK-822X	C CAPACITOR	8200pF 50V K		C564	NCF31EZ-104X	C CAPACITOR	0.1uF 25V Z	
C258	NCB31CK-153X	C CAPACITOR	0.015uF 16V K		C701	NCF31EZ-104X	C CAPACITOR	0.1uF 25V Z	
C259	NCB31CK-153X	C CAPACITOR	0.015uF 16V K		C702	NCF31EZ-104X	C CAPACITOR	0.1uF 25V Z	
C260	NCB31HK-223X	C CAPACITOR	0.022uF 50V K		C703	NCF31EZ-104X	C CAPACITOR	0.1uF 25V Z	
C261	NCB31HK-223X	C CAPACITOR	0.022uF 50V K		C704	NEAF0JM-476X	E CAPACITOR	47uF 6.3V M	
C262	NCB31HK-223X	C CAPACITOR	0.022uF 50V K		C706	NEAF1CM-106X	E CAPACITOR	10uF 16V M	
C263	NEAF1CM-107X	E CAPACITOR	100uF 16V M		C707	NCF31EZ-104X	C CAPACITOR	0.1uF 25V Z	
C300	NCF31EZ-104X	C CAPACITOR	0.1uF 25V Z		C708	NCF31EZ-104X	C CAPACITOR	0.1uF 25V Z	
C301	NEAF0JM-227X	E CAPACITOR	220uF 6.3V M		C709	NCF31EZ-104X	C CAPACITOR	0.1uF 25V Z	
C302	NEAF0GM-476X	E CAPACITOR	47uF 4V M		C711	NCB21CK-105X	C CAPACITOR	1uF 16V K	
C303	NBE20JM-476X	TA E CAPACITOR	47uF 6.3V M		C712	NCB31HK-103X	C CAPACITOR	0.01uF 50V K	
C304	NCB30JK-105X	C CAPACITOR	1uF 6.3V K		C713	NCB21CK-105X	C CAPACITOR	1uF 16V K	
C305	NCF31EZ-104X	C CAPACITOR	0.1uF 25V Z		C740	NCB31CK-104X	C CAPACITOR	0.1uF 16V K	
C306	NCF31EZ-104X	C CAPACITOR	0.1uF 25V Z		R101	NRSA63J-101X	MG RESISTOR	100Ω 1/16W J	
C307	NCF31EZ-104X	C CAPACITOR	0.1uF 25V Z		R102	NRSA63J-101X	MG RESISTOR	100Ω 1/16W J	
C308	NCF31EZ-104X	C CAPACITOR	0.1uF 25V Z		R103	NRSA63J-562X	MG RESISTOR	5.6kΩ 1/16W J	
C309	NCF31EZ-104X	C CAPACITOR	0.1uF 25V Z		R104	NRSA63J-432X	MG RESISTOR	4.3kΩ 1/16W J	
C310	NCF31EZ-104X	C CAPACITOR	0.1uF 25V Z		R105	NRS181J-180X	MG RESISTOR	18Ω 1/8W J	
C312	NCF31EZ-104X	C CAPACITOR	0.1uF 25V Z		R106	NRSA63J-2R2X	MG RESISTOR	2.2Ω 1/16W J	
C313	NCF31EZ-104X	C CAPACITOR	0.1uF 25V Z		R107	NRSA63J-102X	MG RESISTOR	1kΩ 1/16W J	
C314	NCF31EZ-104X	C CAPACITOR	0.1uF 25V Z		R108	NRSA63J-471X	MG RESISTOR	470Ω 1/16W J	
C315	NCF31EZ-104X	C CAPACITOR	0.1uF 25V Z		R109	NRSA63J-331X	MG RESISTOR	330Ω 1/16W J	
C316	NCF31EZ-104X	C CAPACITOR	0.1uF 25V Z		R111	NRSA63J-562X	MG RESISTOR	5.6kΩ 1/16W J	
C318	NCF31EZ-104X	C CAPACITOR	0.1uF 25V Z		R112	NRSA63J-432X	MG RESISTOR	4.3kΩ 1/16W J	
C319	NCF31EZ-104X	C CAPACITOR	0.1uF 25V Z		R113	NRS181J-180X	MG RESISTOR	18Ω 1/8W J	
C320	NCB31CK-104X	C CAPACITOR	0.1uF 16V K		R114	NRSA63J-2R2X	MG RESISTOR	2.2Ω 1/16W J	
C321	NCB31CK-104X	C CAPACITOR	0.1uF 16V K		R115	NRSA63J-102X	MG RESISTOR	1kΩ 1/16W J	
C322	NCB31CK-104X	C CAPACITOR	0.1uF 16V K		R116	NRSA63J-471X	MG RESISTOR	470Ω 1/16W J	
C323	NCB31CK-104X	C CAPACITOR	0.1uF 16V K		R117	NRSA63J-331X	MG RESISTOR	330Ω 1/16W J	
C324	NCB30JK-105X	C CAPACITOR	1uF 6.3V K		R125	NRSA63J-1R0X	MG RESISTOR	1Ω 1/16W J	
C325	NDC31HJ-120X	C CAPACITOR	12pF 50V J		R127	NRSA63J-432X	MG RESISTOR	4.3kΩ 1/16W J	
C326	NDC31HJ-100X	C CAPACITOR	10pF 50V J		R128	NRSA63J-562X	MG RESISTOR	5.6kΩ 1/16W J	
C328	NCB31HK-103X	C CAPACITOR	0.01uF 50V K		R201	NRSA63J-471X	MG RESISTOR	470Ω 1/16W J	
C329	NCF31EZ-104X	C CAPACITOR	0.1uF 25V Z		R202	NRSA63J-102X	MG RESISTOR	1kΩ 1/16W J	
C330	NCF31EZ-104X	C CAPACITOR	0.1uF 25V Z		R204	NRSA63J-273X	MG RESISTOR	27kΩ 1/16W J	
C331	NCB31CK-333X	C CAPACITOR	0.033uF 16V K		R205	NRSA63J-273X	MG RESISTOR	27kΩ 1/16W J	
C332	NCF31EZ-104X	C CAPACITOR	0.1uF 25V Z		R206	NRSA63J-303X	MG RESISTOR	30kΩ 1/16W J	
C333	NCF31EZ-104X	C CAPACITOR	0.1uF 25V Z		R207	NRSA63J-473X	MG RESISTOR	47kΩ 1/16W J	
C334	NCF31EZ-104X	C CAPACITOR	0.1uF 25V Z		R213	NRSA63J-103X	MG RESISTOR	10kΩ 1/16W J	
C335	NCF31EZ-104X	C CAPACITOR	0.1uF 25V Z		R214	NRSA63J-103X	MG RESISTOR	10kΩ 1/16W J	
C337	NCB31CK-183X	C CAPACITOR	0.018uF 16V K		R219	NRSA63J-183X	MG RESISTOR	18kΩ 1/16W J	
C338	NCB31HK-562X	C CAPACITOR	5600pF 50V K		R220	NRSA63J-243X	MG RESISTOR	24kΩ 1/16W J	
C339	NBE20JM-106X	TA E CAPACITOR	10uF 6.3V M		R221	NRSA63J-682X	MG RESISTOR	6.8kΩ 1/16W J	
C340	NCB30JK-105X	C CAPACITOR	1uF 6.3V K		R251	NRS125J-R39X	MG RESISTOR	0.39Ω 1/2W J	
C341	NCB30JK-105X	C CAPACITOR	1uF 6.3V K		R259	NRSA63J-103X	MG RESISTOR	10kΩ 1/16W J	
C347	NCB31CK-104X	C CAPACITOR	0.1uF 16V K		R303	NRSA63J-220X	MG RESISTOR	22Ω 1/16W J	
C348	NCB31CK-104X	C CAPACITOR	0.1uF 16V K		R306	NRSA63J-102X	MG RESISTOR	1kΩ 1/16W J	
C349	NCF31EZ-104X	C CAPACITOR	0.1uF 25V Z		R307	NRSA63J-102X	MG RESISTOR	1kΩ 1/16W J	
C350	NCB31HK-103X	C CAPACITOR	0.01uF 50V K		R308	NRSA63J-103X	MG RESISTOR	10kΩ 1/16W J	
C351	NCB31HK-103X	C CAPACITOR	0.01uF 50V K		R309	NRSA63J-104X	MG RESISTOR	100kΩ 1/16W J	
C352	NCB31CK-153X	C CAPACITOR	0.015uF 16V K		R310	NRSA63J-101X	MG RESISTOR	100Ω 1/16W J	
C353	NCB31HK-561X	C CAPACITOR	560pF 50V K		R316	NRSA63J-102X	MG RESISTOR	1kΩ 1/16W J	
C354	NCB31HK-561X	C CAPACITOR	560pF 50V K		R319	NRSA63J-103X	MG RESISTOR	10kΩ 1/16W J	
C356	NCB30JK-105X	C CAPACITOR	1uF 6.3V K		R324	NRSA63J-331X	MG RESISTOR	330Ω 1/16W J	
C359	NCB30JK-105X	C CAPACITOR	1uF 6.3V K		R325	NRSA63J-331X	MG RESISTOR	330Ω 1/16W J	
C371	NCF31AZ-105X	C CAPACITOR	1uF 10V Z		R326	NRSA63J-331X	MG RESISTOR	330Ω 1/16W J	

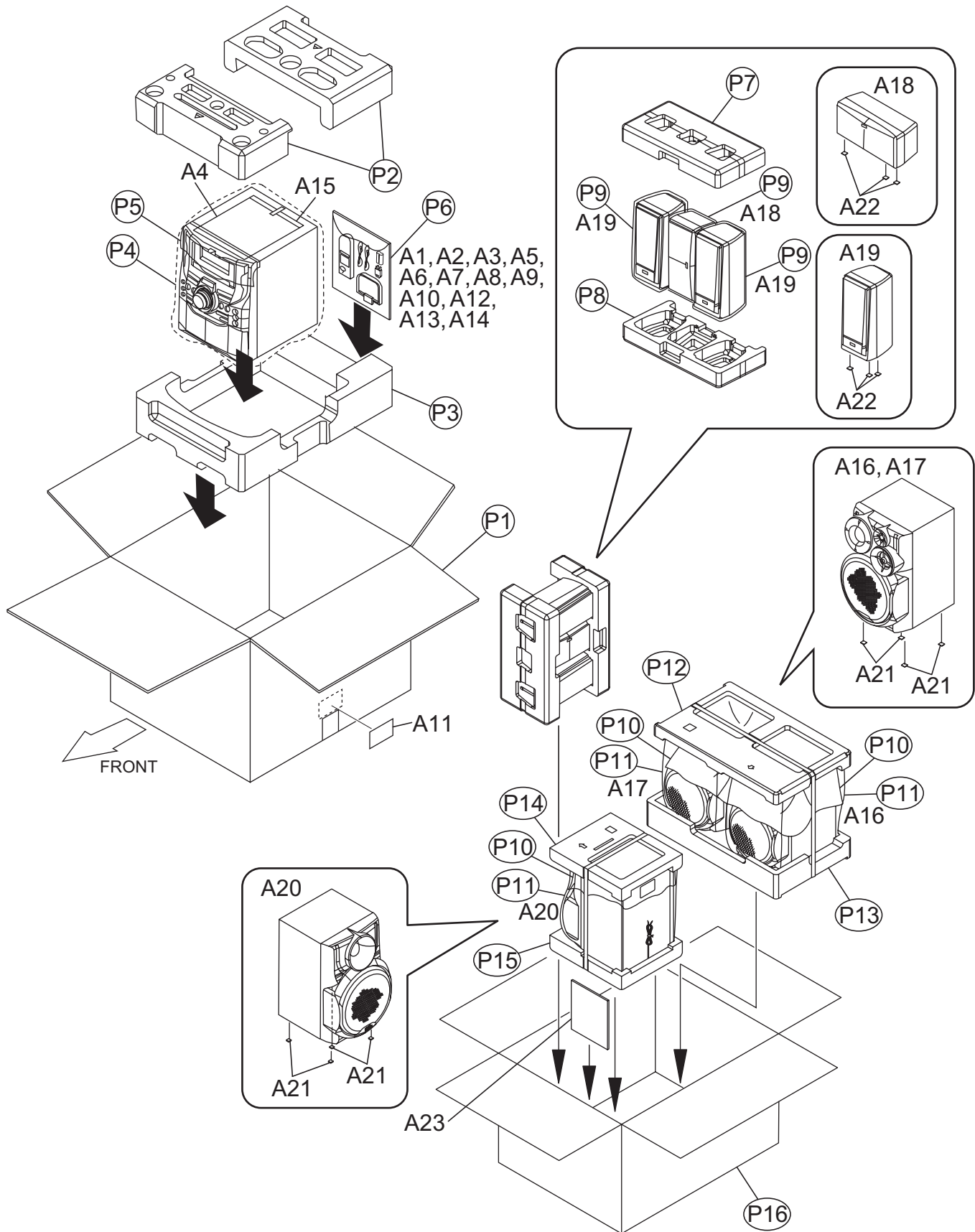
Symbol No.	Part No.	Part Name	Description	Local
R327	NRSA63J-331X	MG RESISTOR	330Ω 1/16W J	
R331	NRSA63J-331X	MG RESISTOR	330Ω 1/16W J	
R332	NRSA63J-331X	MG RESISTOR	330Ω 1/16W J	
R334	NRSA63J-0R0X	MG RESISTOR	0Ω 1/16W J	
R335	NRSA63J-0R0X	MG RESISTOR	0Ω 1/16W J	
R336	NRSA63J-0R0X	MG RESISTOR	0Ω 1/16W J	
R337	NRSA63J-0R0X	MG RESISTOR	0Ω 1/16W J	
R338	NRSA63J-0R0X	MG RESISTOR	0Ω 1/16W J	
R339	NRSA63J-0R0X	MG RESISTOR	0Ω 1/16W J	
R340	NRSA63D-303X	MG RESISTOR	30kΩ 1/16W D	
R341	NRSA63D-512X	MG RESISTOR	5.1kΩ 1/16W D	
R342	NRSA63D-242X	MG RESISTOR	2.4kΩ 1/16W D	
R345	NRSA63J-221X	MG RESISTOR	220Ω 1/16W J	
R346	NRSA63J-223X	MG RESISTOR	22kΩ 1/16W J	
R347	NRSA63J-203X	MG RESISTOR	20kΩ 1/16W J	
R348	NRSA63J-0R0X	MG RESISTOR	0Ω 1/16W J	
R350	NRSA63J-751X	MG RESISTOR	750Ω 1/16W J	
R351	NRSA63J-681X	MG RESISTOR	680Ω 1/16W J	
R352	NRSA63J-105X	MG RESISTOR	1MΩ 1/16W J	
R353	NRSA63J-101X	MG RESISTOR	100Ω 1/16W J	
R357	NRSA63J-221X	MG RESISTOR	220Ω 1/16W J	
R358	NRSA63J-221X	MG RESISTOR	220Ω 1/16W J	
R359	NRSA63J-221X	MG RESISTOR	220Ω 1/16W J	
R360	NRSA63J-221X	MG RESISTOR	220Ω 1/16W J	
R362	NRSA63J-470X	MG RESISTOR	47Ω 1/16W J	
R367	NRSA63J-221X	MG RESISTOR	220Ω 1/16W J	
R372	NRSA63J-103X	MG RESISTOR	10kΩ 1/16W J	
R373	NRSA63J-103X	MG RESISTOR	10kΩ 1/16W J	
R375	NRSA63J-471X	MG RESISTOR	470Ω 1/16W J	
R376	NRSA63J-102X	MG RESISTOR	1kΩ 1/16W J	
R377	NRSA63J-102X	MG RESISTOR	1kΩ 1/16W J	
R383	NRSA63J-101X	MG RESISTOR	100Ω 1/16W J	
R384	NRSA63J-102X	MG RESISTOR	1kΩ 1/16W J	
R385	NRSA63J-102X	MG RESISTOR	1kΩ 1/16W J	
R392	NRSA63J-103X	MG RESISTOR	10kΩ 1/16W J	
R458	NRSA63J-102X	MG RESISTOR	1kΩ 1/16W J	
R535	NRSA63J-473X	MG RESISTOR	47kΩ 1/16W J	
R541	NRSA63J-473X	MG RESISTOR	47kΩ 1/16W J	
R542	NRSA63J-473X	MG RESISTOR	47kΩ 1/16W J	
R701	NRSA63J-2R2X	MG RESISTOR	2.2Ω 1/16W J	
R718	NRSA63J-473X	MG RESISTOR	47kΩ 1/16W J	
R721	NRSA63J-471X	MG RESISTOR	470Ω 1/16W J	
R722	NRSA63J-0R0X	MG RESISTOR	0Ω 1/16W J	
R723	NRSA63J-471X	MG RESISTOR	470Ω 1/16W J	
R724	NRSA63J-471X	MG RESISTOR	470Ω 1/16W J	
R725	NRSA63J-471X	MG RESISTOR	470Ω 1/16W J	
R726	NRSA63J-0R0X	MG RESISTOR	0Ω 1/16W J	
R727	NRSA63J-471X	MG RESISTOR	470Ω 1/16W J	
R728	NRSA63J-471X	MG RESISTOR	470Ω 1/16W J	
R730	NRSA63J-331X	MG RESISTOR	330Ω 1/16W J	
R731	NRSA63J-102X	MG RESISTOR	1kΩ 1/16W J	
R732	NRSA63J-102X	MG RESISTOR	1kΩ 1/16W J	
CN101	QGF0523F3-24W	CONNECTOR	FFC/FPC (1-24)	
CN201	QGF1016F8-08W	CONNECTOR	FFC/FPC (1-8)	
CN701	QGF1016F8-25W	CONNECTOR	FFC/FPC (1-25)	
CN702	QGF1016F8-15W	CONNECTOR	FFC/FPC (1-15)	
K101	NQR0502-001X	FERRITE BEADS		
K351	NQR0502-001X	FERRITE BEADS		
K352	NQR0502-001X	FERRITE BEADS		
K501	NQR0502-001X	FERRITE BEADS		
K701	NQR0022-002X	FERRITE BEADS		
K702	NQR0022-002X	FERRITE BEADS		
K703	NQR0022-002X	FERRITE BEADS		
K704	NQR0022-002X	FERRITE BEADS		
K705	NQR0022-002X	FERRITE BEADS		
K706	NQR0022-005X	FERRITE BEADS		
K707	NQR0022-002X	FERRITE BEADS		
K708	NQR0022-002X	FERRITE BEADS		
K709	NQR0022-002X	FERRITE BEADS		
K710	NQR0022-002X	FERRITE BEADS		
K711	NQR0022-002X	FERRITE BEADS		
K720	NQR0022-002X	FERRITE BEADS		
K721	NRSA63J-0R0X	MG RESISTOR	0Ω 1/16W J	
K722	NRSA63J-0R0X	MG RESISTOR	0Ω 1/16W J	
K726	NRSA63J-0R0X	MG RESISTOR	0Ω 1/16W J	
TH301	NAD0025-103X	N THERMISTOR	10kΩ	
X301	NAX0741-001X	CRYSTAL	27.000MHz	

< MEMO >

Packing materials and accessories parts list

Block No. **M 3 M M**

No additional / supplemental order of WARRANTY CARDS are available



Packing and Accessories

Block No. [M][3][M][M]

△	Symbol No.	Part No.	Part Name	Description	Local
	A 1	GVT0178-001A	INST BOOK	ENG	DK51A,DK51US,DK51UX,DK51UG,DK51UN
	A 2	GVT0178-006A	INST BOOK	RUS	DK51EE
	A 2	GVT0178-003A	INST BOOK	CHI(PEKIN)	DK51US,DK51UN
	A 2	GVT0178-004A	INST BOOK	ARA PER	DK51UX,DK51UG
	A 3	GVT0186-001A	NOTICE SHEET		
	A 4	GVT0187-001A	NOTICE SHEET		
	A 5	QAL0014-003	AM LOOP ANT		
	A 6	QAL0457-001	ANT.WIRE		
△	A 7	QAM0112-002	PLUG ADAPTOR		DK51US,DK51UN
	A 8	QAM0216-001	SIGNAL CORD		
	A 9	RM-SMXDK51U	REMOCON		DK51EE,DK51US,DK51UX,DK51UG,DK51UN
	A 9	RM-SMXDK51A	REMOCON		DK51A
	A 10	-----	BATTERY	1.5V(x2)	
	A 11	LE40796-001A	VERANCE LABEL		
	A 12	-----	WARRANTY CARD	BT-54028-1	DK51EE
	A 13	-----	WARRANTY CARD	BT-56012-1	DK51A
	A 14	GVT0195-001A	NOTICE SHEET		DK51A,DK51US,DK51UX,DK51UG,DK51UN
	A 15	GVT0185-001A	NOTICE SHEET		DK51UN
	A 16	MXDK5F-SPBOX-R	SPEAKER BOX	SPK WITH BOX-R	
	A 17	MXDK5F-SPBOX-L	SPEAKER BOX	SPK WITH BOX-L	
	A 18	ASL8CDK51-EB10	SPEAKER BOX	SPK WITH BOX-C	
	A 19	ASL8SDK51-EB10	SPEAKER BOX	SPK WITH BOX-S(x2)	
	A 20	SPMXDK5W-SPBOX	SPEAKER BOX	SPK WITH BOX-WO	
	A 21	441-802104-00	LEG CUSHION	(x12)	
	A 22	DUF803001-0002	LEG CUSHION	(x9)	
	A 23	650-DK51US-00	USER MANUAL		
	A 23	650-DK51EE-00	USER MANUAL		
	P 1	GV20427-004A	CARTON ASSY.		DK51EE
	P 1	GV20427-003A	CARTON ASSY.		DK51A
	P 1	GV20427-001A	CARTON ASSY.		DK51US,DK51UN
	P 1	GV20427-002A	CARTON ASSY.		DK51UX,DK51UG
	P 2	GV10326-001A	CUSHION (TOP)		
	P 3	GV10327-001A	CUSHION (BOTTOM)		
	P 4	QPC06507030P	POLY BAG	65cm x 70cm	
	P 5	GV40437-003A	CLOTH		
	P 6	QPC02503515P	POLY BAG	25cm x 35cm	
	P 7	ITF830361-0001	TOP CUSHION		
	P 8	ITF830361-0002	BOTTOM CUSHION		
	P 9	IWA803101-0023	HDPE BAG	(x3)	
	P 10	715-250104-00	MIRAMAT SHEET	(x3)	
	P 11	700-120034-20	HDPE BAG	(x3)	
	P 12	720-XDK5FT-00	TOP CUSHION		
	P 13	720-XDK5FB-00	BOTTOM CUSHION		
	P 14	720-DK51WT-00	TOP CUSHION		
	P 15	720-DK51WB-00	BOTTOM CUSHION		
	P 16	730-DK51US-10	PACKING CASE		
	P 16	730-DK51UX-10	PACKING CASE		
	P 16	730-DK51EE-10	PACKING CASE		

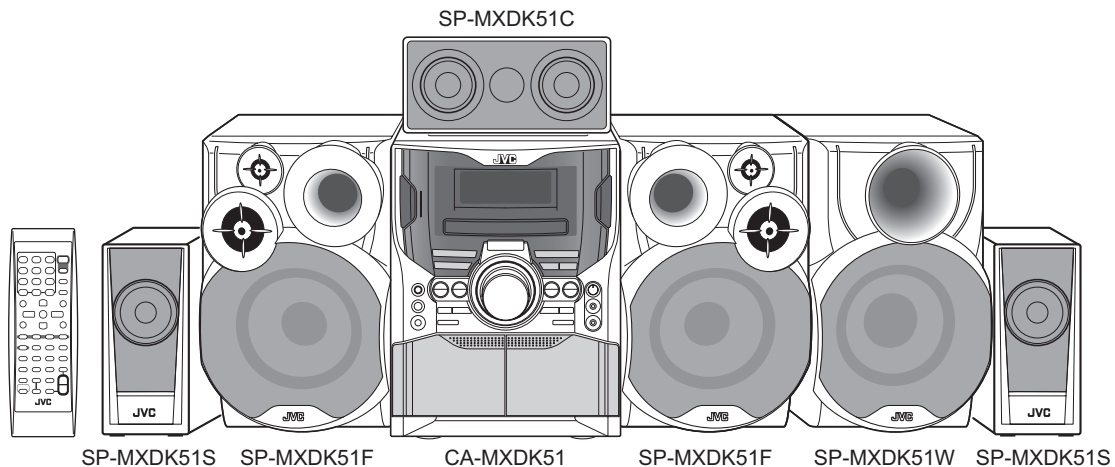
JVC

SCHEMATIC DIAGRAMS

COMPACT COMPONENT SYSTEM

MX-DK51EE, MX-DK51A, MX-DK51US MX-DK51UX, MX-DK51UG, MX-DK51UN

CD-ROM No.SML200606



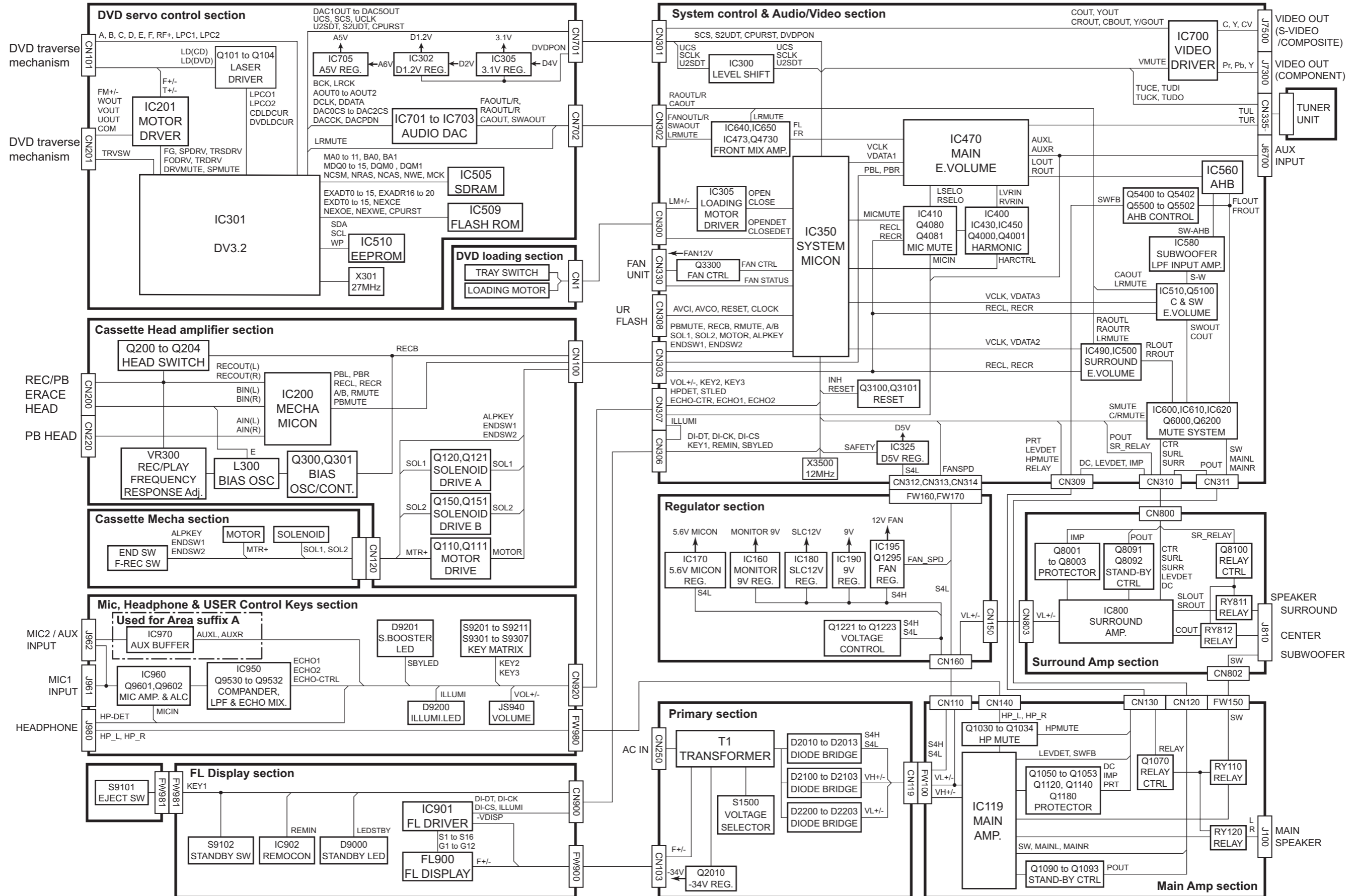
Lead free solder used in the board (material : Sn-Ag-Cu, melting point : 219 Centigrade)

Contents

Block diagrams	2-1
Standard schematic diagrams	2-2
Printed circuit boards	2-12 to 16

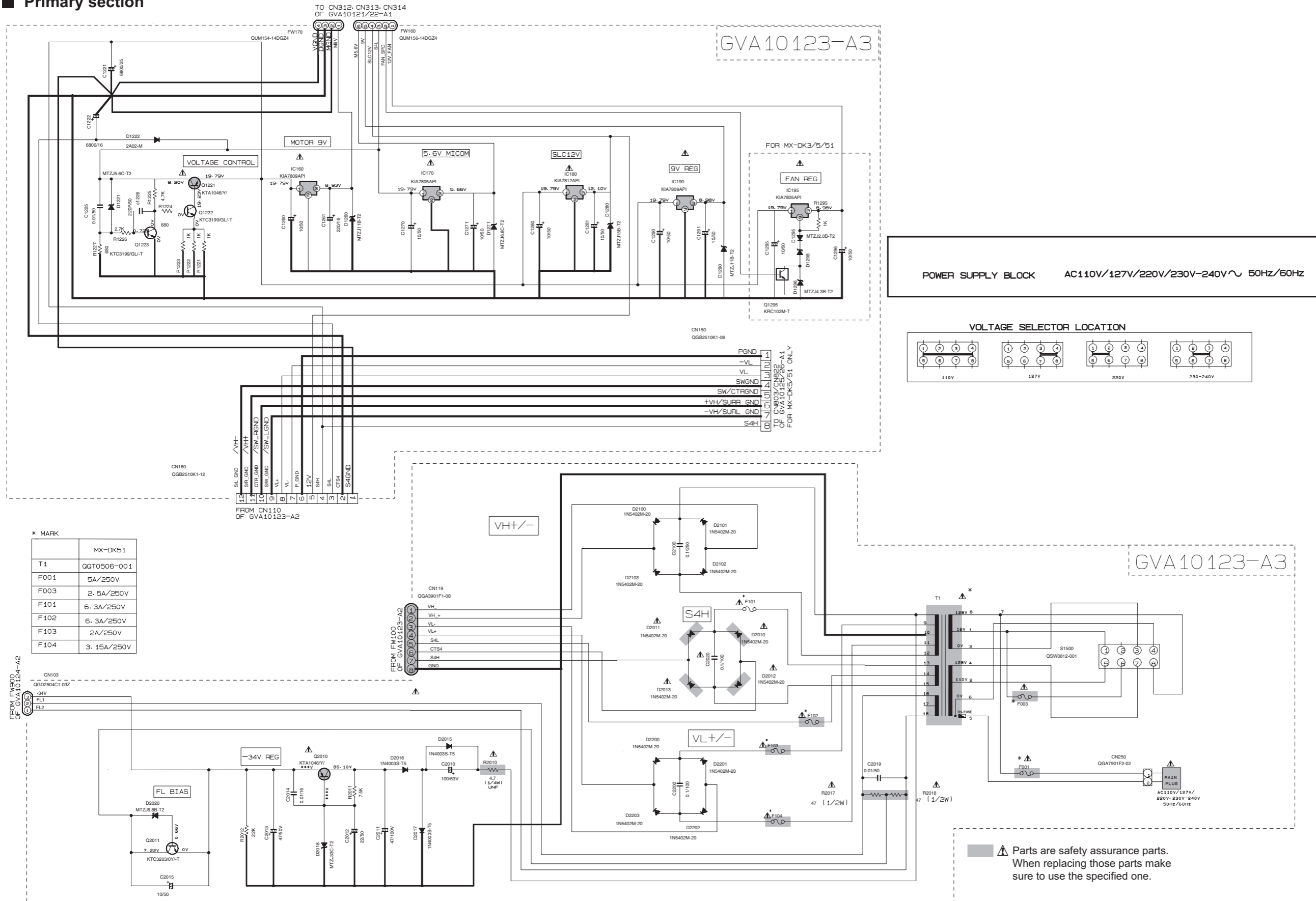
In regard with component parts appearing on the silk-screen printed side (parts side) of the PWB diagrams, the parts that are printed over with black such as the resistor (■), diode (▣) and ICP (●) or identified by the "⚠" mark nearby are critical for safety.

Block diagram

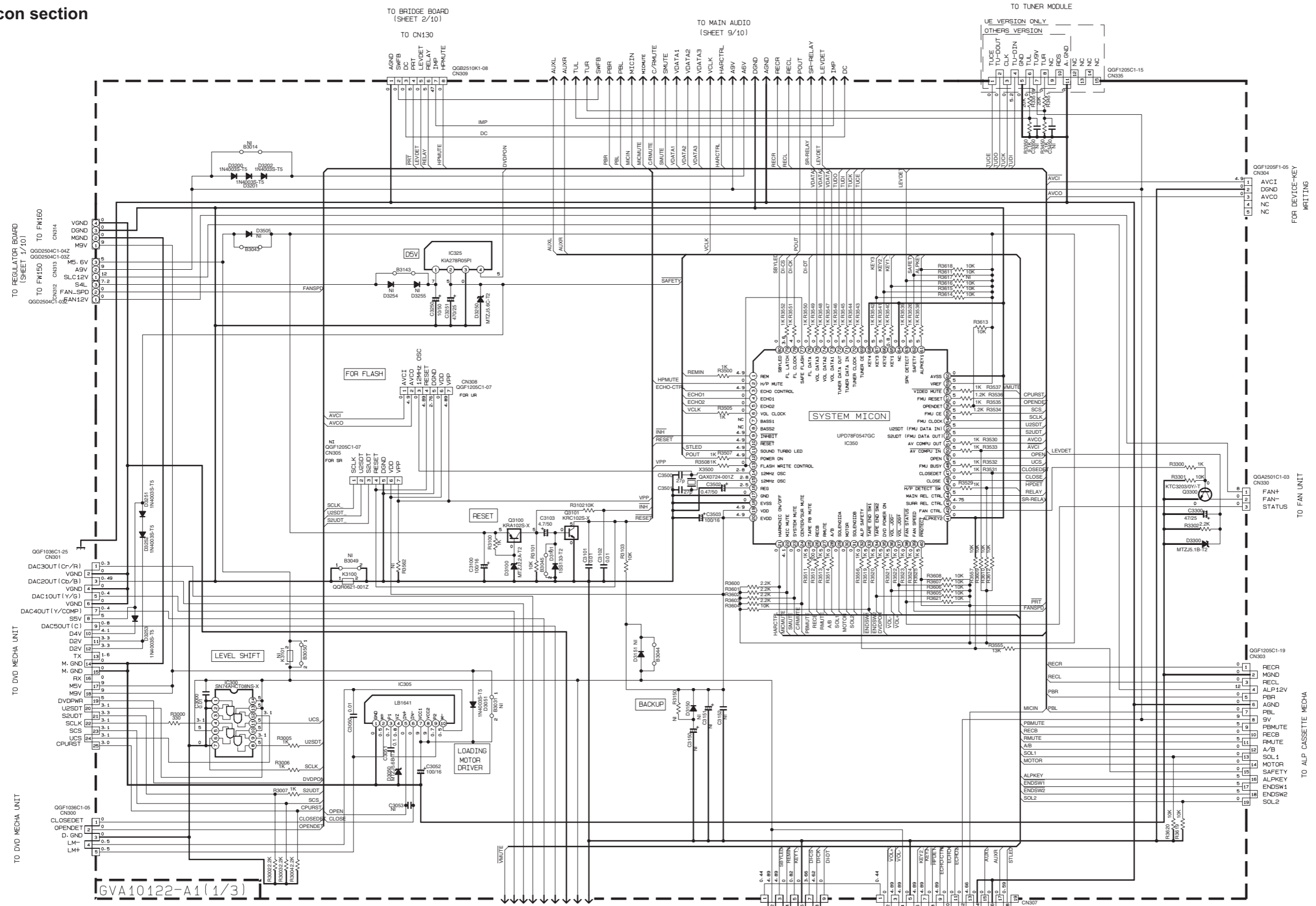


Standard schematic diagrams

Primary section

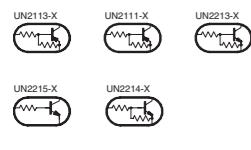


Micon section

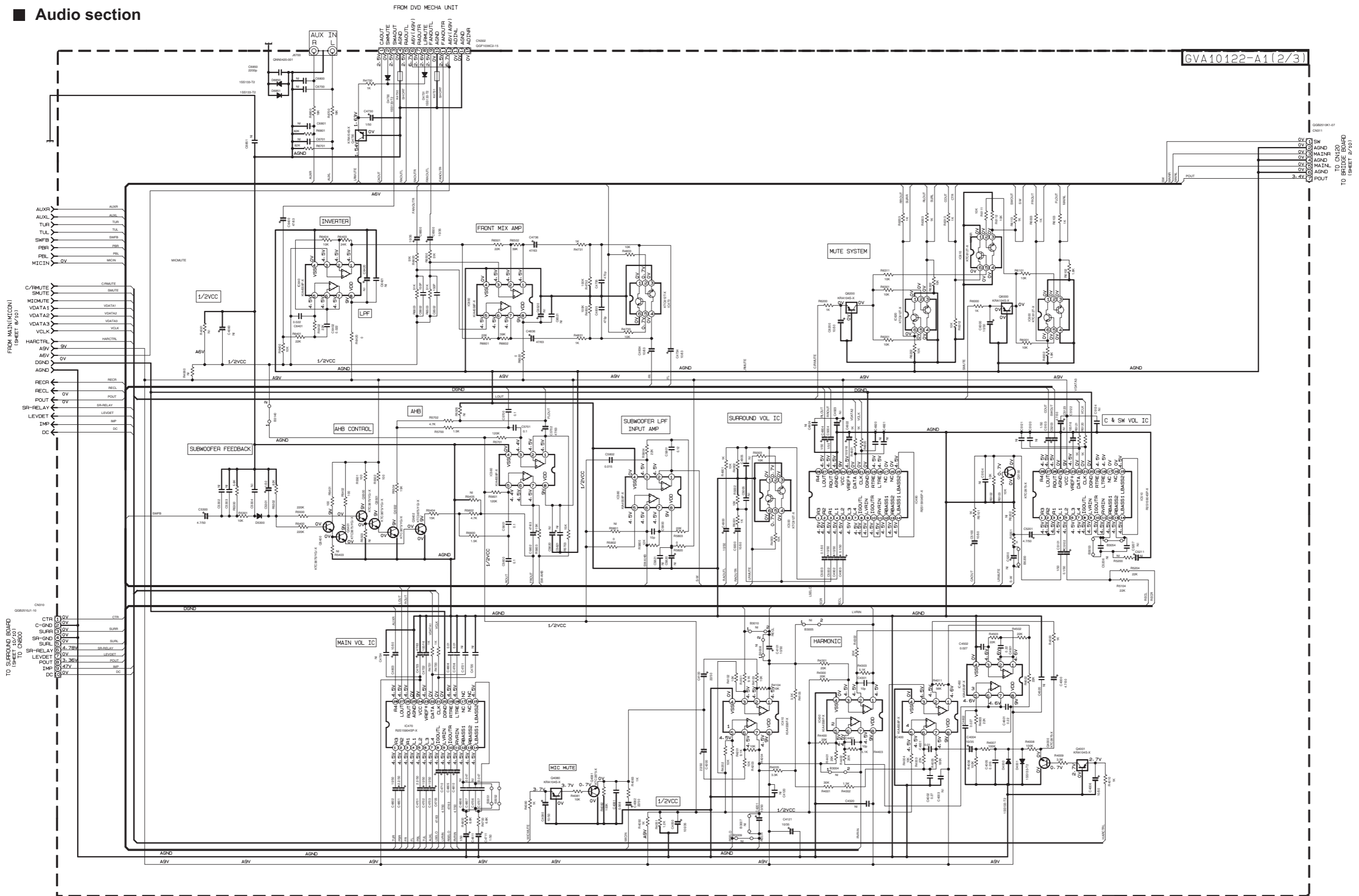


NOTES
 1. VOLTAGES ARE DC-MEASURED WITH A DIGITAL VOLT METER OR OSCILLOSCOPE WITHOUT INPUT SIGNAL. CONDITION --- CD STOP MODE. ALL CH. STEREO S. TURBO OFF. VOL 7
 2. UNLESS OTHERWISE SPECIFIED, ALL RESISTORS ARE 1/4W ± 5% CARBON FILM RESISTOR OR 0.063W ± 5% THICK FILM CHIP RESISTOR
 ALL CAPACITORS ARE CERAMIC CAPACITOR OR MYLAR CAPACITOR.

ALL RESISTANCE VALUES ARE IN OHM(Ω).
 ALL CAPACITANCE VALUES ARE IN P(F)P(F).
 ALL E. CAPACITORS ARE SHOWN IN THE FORM OF CAPACITANCE(≠V)RATED VOLTAGE (V).
 ALL INDUCTANCE VALUES ARE IN μH(m=μH).
 ALL DIODES ARE 1S133-T2
 ALL FERRITE BEADS ARE NGR0007-002X
 3. NI----NO INSERT(NO USE)



Audio section



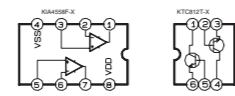
GVA10122-A1 (2/3)

TO BRIDGE BOARD
(SHEET 2/10)

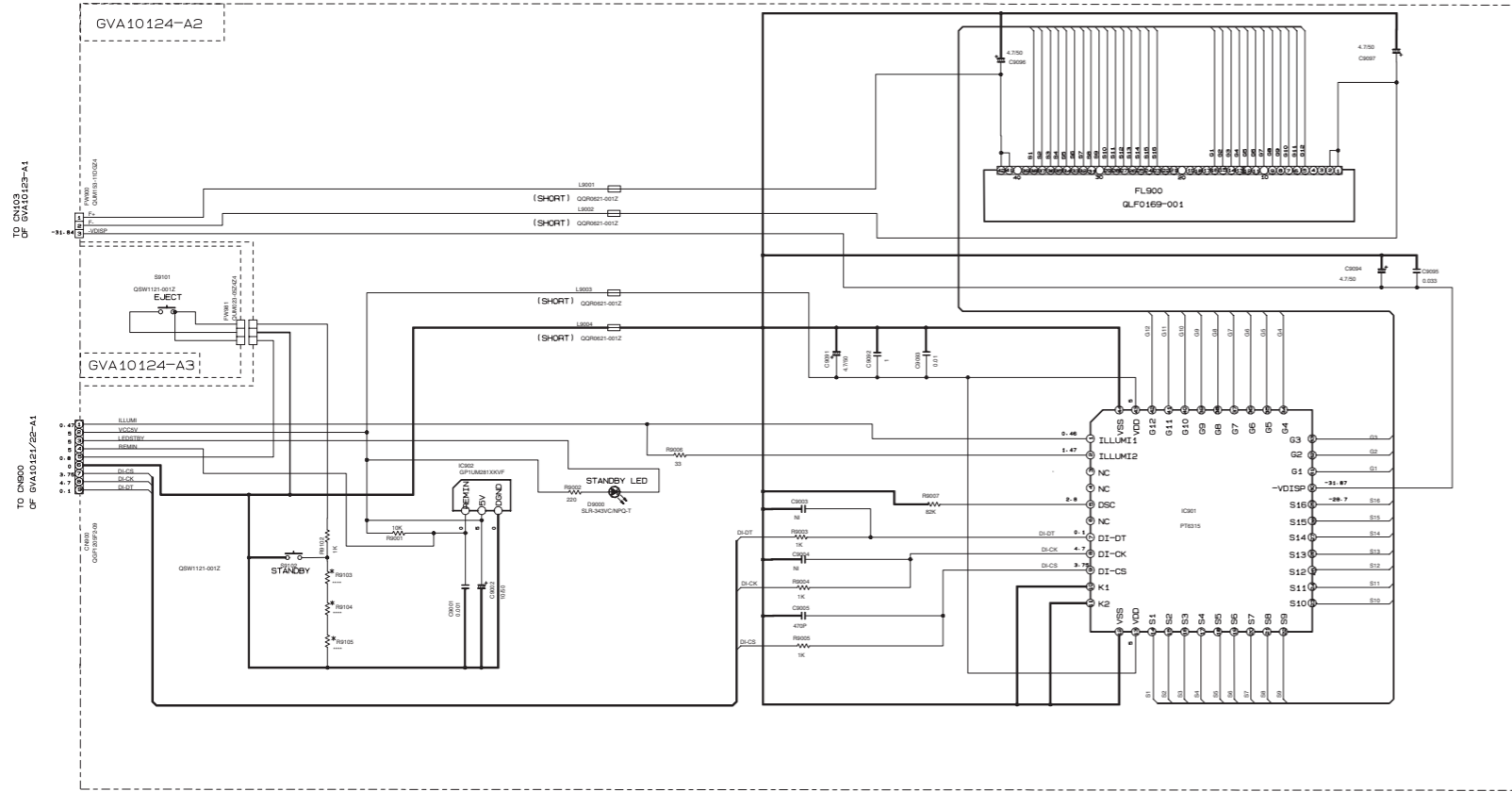
FROM MAIN(MICIN)
(SHEET 2/10)

TO SURROUND BOARD
(SHEET 10/10)

NOTES
 1. VOLTAGES ARE DC-MEASURED WITH A DIGITAL VOLT METER OR OSCILLOSCOPE WITHOUT INPUT SIGNAL. CONDITION --- CD STOP MODE, ALL CH. STEREO, S. TURBO OFF, VOL. 7
 2. UNLESS OTHERWISE SPECIFIED.
 ALL RESISTORS ARE 1/4W ± 5% CARBON FILM RESISTOR OR 0.05W ± 5% THICK FILM CHIP RESISTOR
 ALL CAPACITORS ARE CERAMIC CAPACITOR OR MYLAR CAPACITOR.
 ALL RESISTANCE VALUES ARE IN OHM (Ω). ALL CAPACITANCE VALUES ARE IN PICO (p). ALL E. CAPACITORS ARE SHOWN IN THE FORM OF CAPACITANCE (pF) / RATED VOLTAGE (V). ALL INDUCTANCE VALUES ARE IN μH (μH). ALL DIODES ARE 1SS133-T2
 ALL FERRITE BEADS ARE NFR0007-002X
 3. NI --- NO INSERT (NO USE)



■ Front section



■ MARK

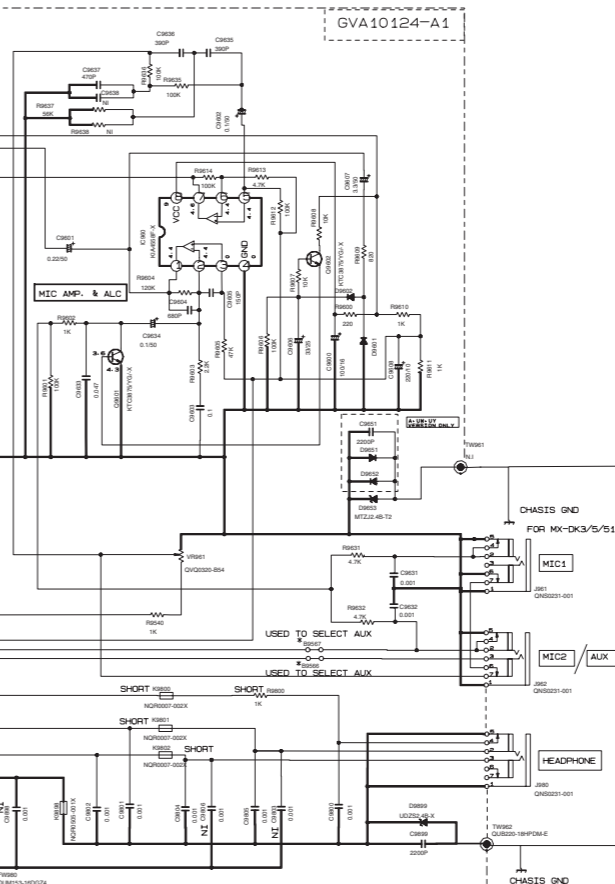
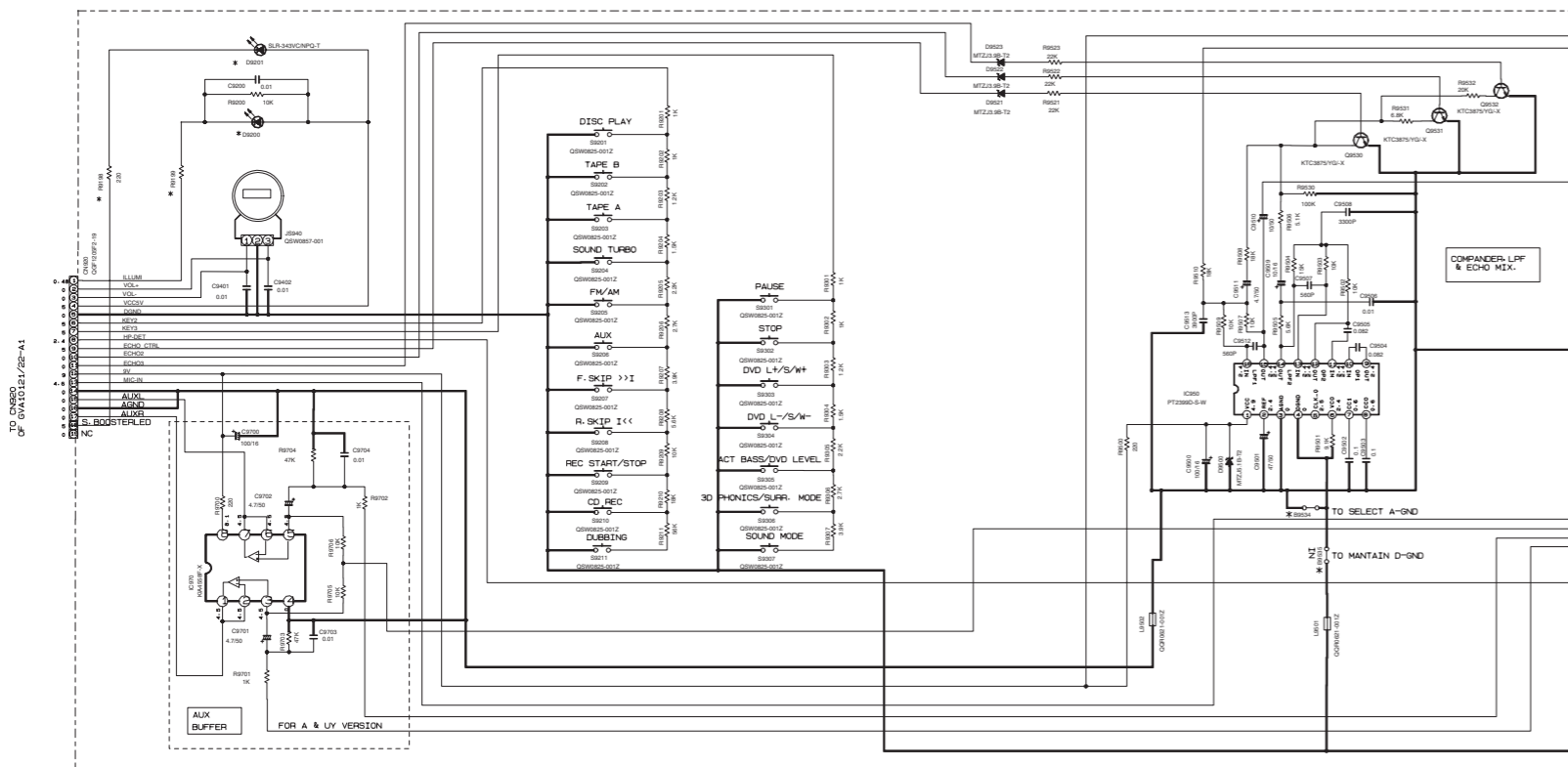
VERSION	US	UN	UG/LX	UY	EE	UN	A	REMARK
R9103	1K	1K	1K	4.7K	4.7K	5.6K	10K	
R9104	SHORT	1.2K	1.2K	1.2K	1.2K	3K	3K	
R9105	SHORT	SHORT	1.5K	SHORT	2.7K	3.9K	5.1K	

■ MARK

VERSION	US	UN	UG/LX	UY	EE	UN	A	REMARK
B9003	NI	NI	NI	USED	NI	NI	USED	FOR VERSION WITH FRONT AUX ONLY
B9004								

■ MARK

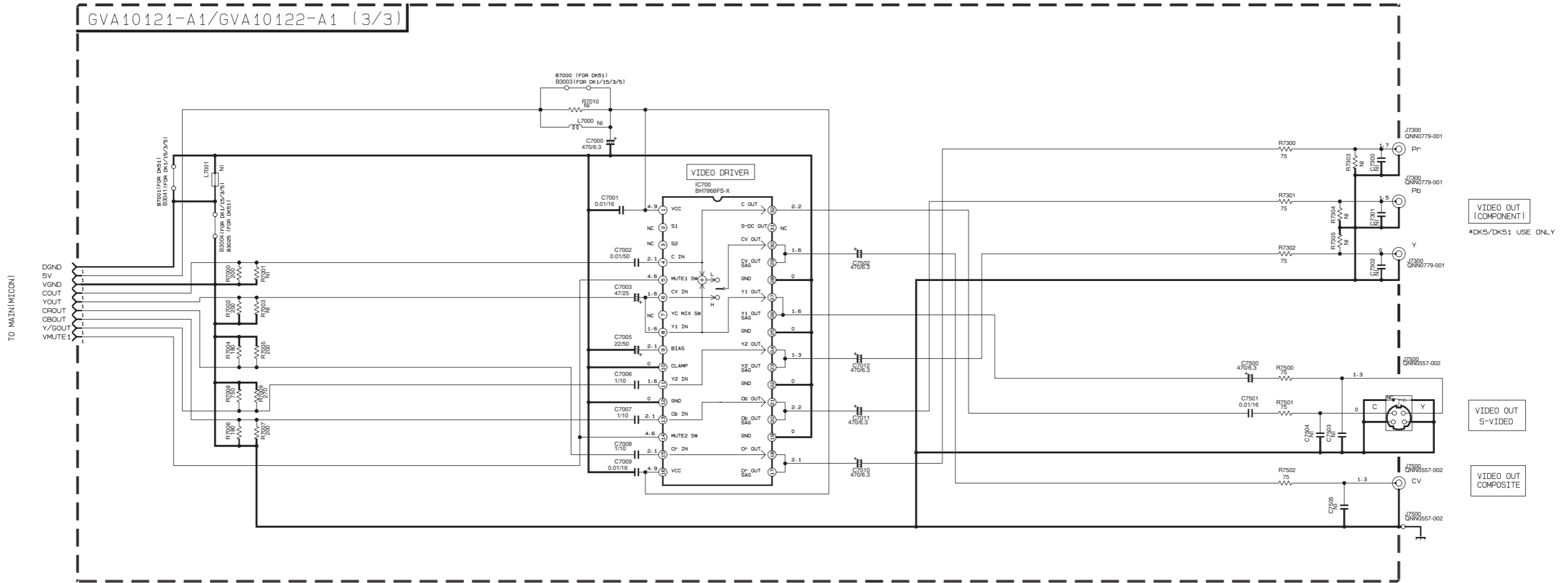
MODEL	MX-DK1	MX-DK3	MX-DK5	MX-DK51
D9201		SLR-343VC-T	SELUGE10C-P	SELUGE10C-P
D9108		220	220	220
D9200	QLR-56VC3F	SELU1E54CM-P	SELU1E54CM-P	SELU1E54CM-P
R9199	130	75	75	75



NOTES

- VOLTAGES ARE DC-MEASURED WITH A DIGITAL VOLT METER OR OSCILLOSCOPE WITHOUT INPUT SIGNAL. CONDITION — AUX MODE, VOL. MD=, BASS OFF
- UNLESS OTHERWISE SPECIFIED: ALL RESISTORS ARE 1/4W ± 5% OHM TOL. ALL RESISTANCE VALUES ARE IN OHM (Ω). ALL CAPACITORS ARE CERAMIC CAPACITOR OR WCLM CAPACITOR. ALL CAPACITANCE VALUES ARE IN #10(MPF). ALL INDUCTANCE VALUES ARE IN MH(MH). ALL ELECTROLYTIC CAPACITORS ARE SHOWN IN THE FORM OF CAPACITANCE (μF)/RATED VOLTAGE (V).
- NI — NO INSERT

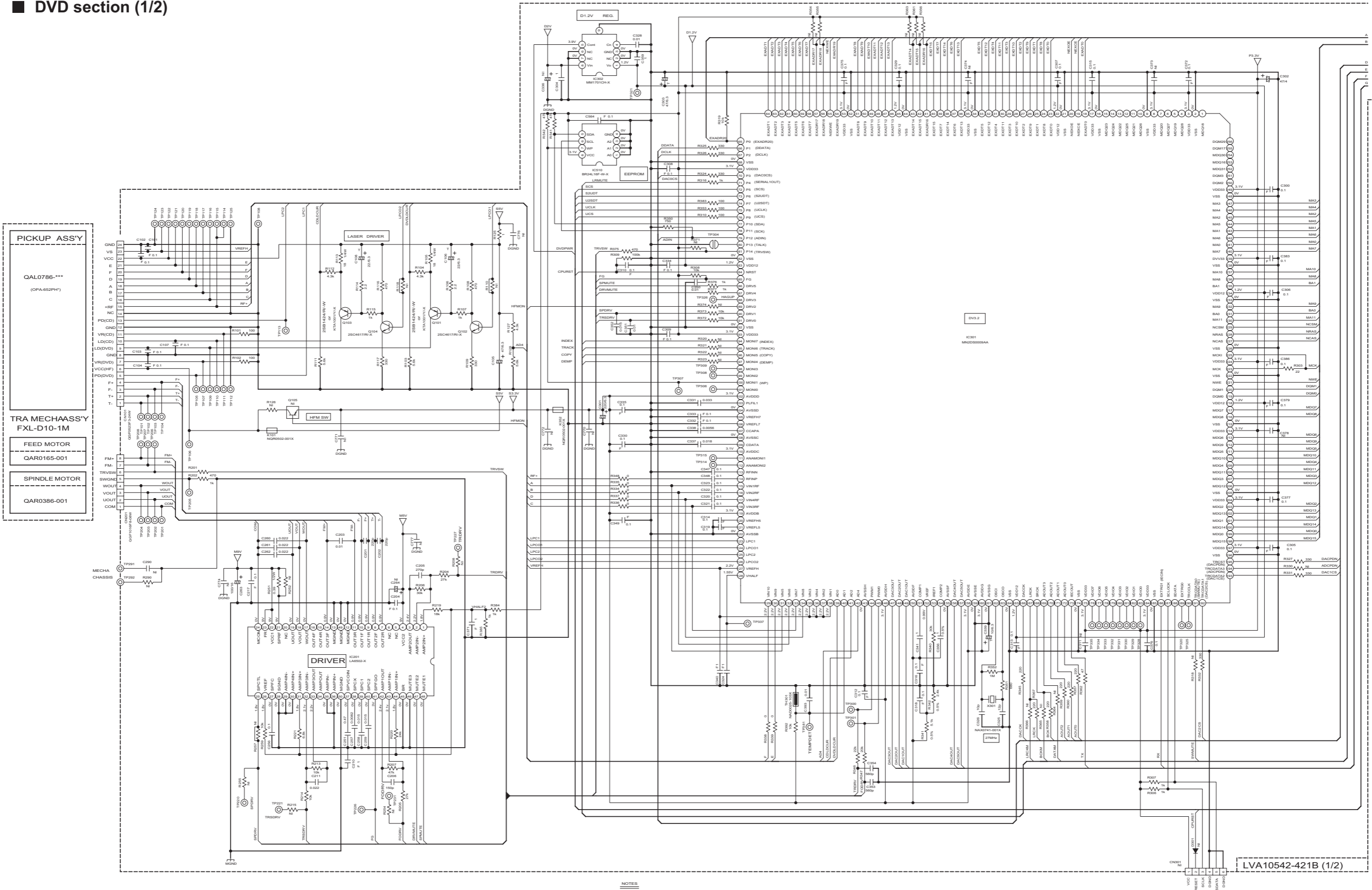
■ Video section



NOTES

1. VOLTAGES ARE DC-MEASURED WITH A DIGITAL VOLT METER OR OSCILLOSCOPE WITHOUT INPUT SIGNAL. CONDITION --- CD STOP MODE V_{01.0}
2. UNLESS OTHERWISE SPECIFIED RESISTORS ARE 1/8W ±5% CARBON RESISTOR. ALL RESISTANCE VALUES ARE IN Ω(MΩ). ALL CAPACITORS ARE CERAMIC CAPACITOR OR MYLAR CAPACITOR. ALL CAPACITANCE VALUES ARE IN #F(P=pF). ALL INDUCTANCE VALUES ARE IN #H(m=μH). ALL E-CAPACITORS ARE SHOWN IN THE FORM OF CAPACITANCE (μF)/RATED VOLTAGE (V). ALL DIODES ARE MA111-X
3. MARK(* AND #) IS TO SHOW DEVIATION IN VERSIONS ARE EXPLAINED NEAR MARK.
4. NI--->NO INSERT(NO USE)

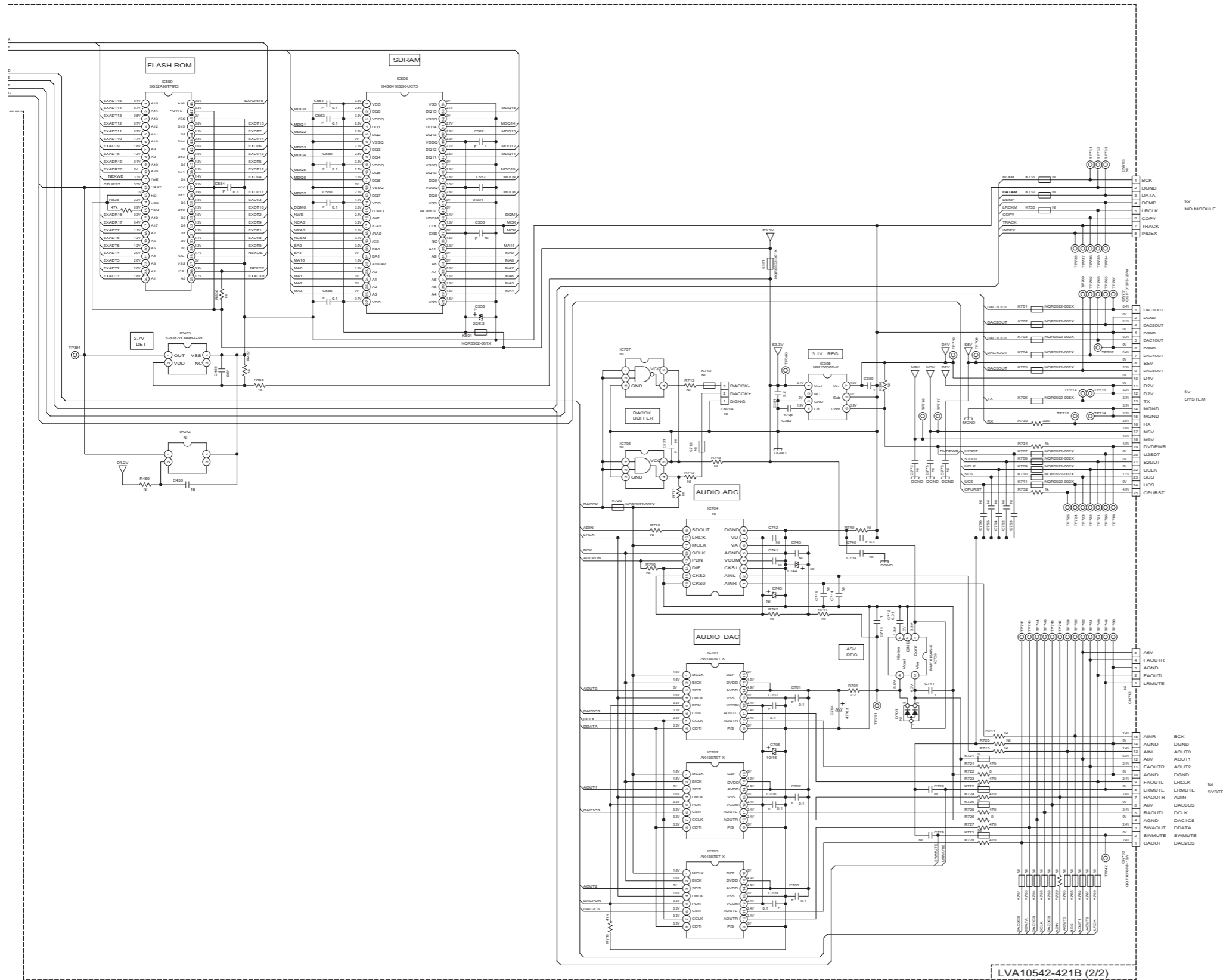
■ DVD section (1/2)



NOTES

- VOLTAGES ARE DC-MEASURED WITH A DIGITAL VOLT METER WITHOUT INPUT SIGNAL.
CONDITION — A DVD disc in the Tray 1, and STOP mode.
- UNLESS OTHERWISE SPECIFIED.
ALL RESISTORS ARE 1/16W ±5% METAL GLAZE RESISTOR, OR 0.5% METAL GLAZE RESISTOR.
ALL CAPACITORS ARE 50V, 25V, 16V, 10V or 6.3V CERAMIC CAPACITOR.
ALL RESISTANCE VALUES ARE IN OHM(Ω).
ALL CAPACITANCE VALUES ARE IN pF(pf).
ALL DIMENSIONS ARE SHOWN IN THE FORM OF CAPACITANCE(±)F/RATED VOLTAGE (V).
ALL INDUCTANCE VALUES ARE IN μH(μH).
- NI STANDS FOR NOT INSERTED PARTS.

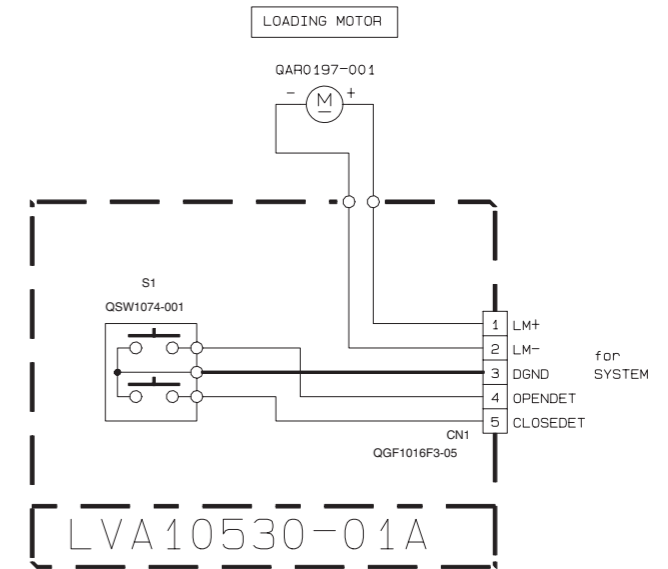
■ DVD section (2/2)



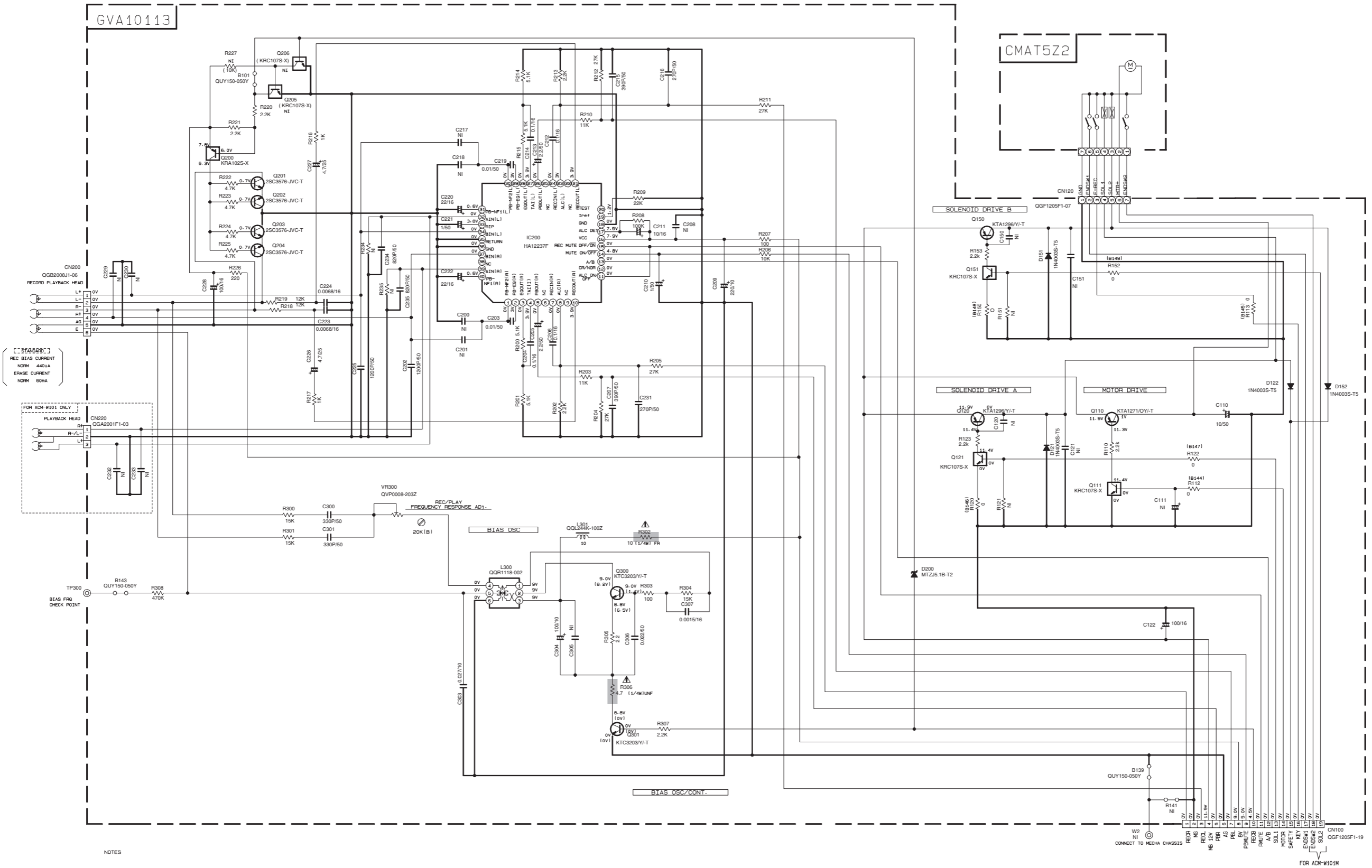
NOTES

- VOLTAGES ARE DC-MEASURED WITH A DIGITAL VOLT METER WITHOUT INPUT SIGNAL.
CONDITION — A DVD disc in the Tray 1, and STOP mode.
- UNLESS OTHERWISE SPECIFIED:
ALL RESISTORS ARE 1/16W ±5% METAL GLAZE RESISTOR, OR 0.5% METAL GLAZE RESISTOR.
ALL CAPACITORS ARE 50V, 25V, 16V, 10V or 6.3V CERAMIC CAPACITOR.
ALL RESISTANCE VALUES ARE IN OHM (Ω).
ALL CAPACITANCE VALUES ARE IN pF (pF).
ALL CAPACITORS ARE SHOWN IN THE FORM OF CAPACITANCE (pF) RATED VOLTAGE (V).
ALL INDUCTANCE VALUES ARE IN μH (μH).
- NI STANDS FOR NOT INSERTED PARTS.

■ Loader section

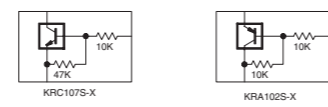


Cassette section



NOTES

- VOLTAGES ARE DC-MEASURED WITH A DIGITAL VOLT METER OR OSCILLOSCOPE WITHOUT INPUT SIGNAL. CONDITION - MECHA STOP MODE
- UNLESS OTHERWISE SPECIFIED - RESISTORS ARE 1/10W ±5% METAL GLAZE RESISTOR. ALL RESISTANCE VALUES ARE IN OHM(Ω). ALL CAPACITORS ARE CERAMIC CAPACITOR OR MYLAR CAPACITOR. ALL CAPACITANCE VALUES ARE IN #F(=PF). ALL INDUCTANCE VALUES ARE IN #H(=MH). ALL E-CAPACITORS ARE SHOWN IN THE FORM OF CAPACITANCE (#F)/RATED VOLTAGE (V). POLYPROPYLENE CAPACITOR

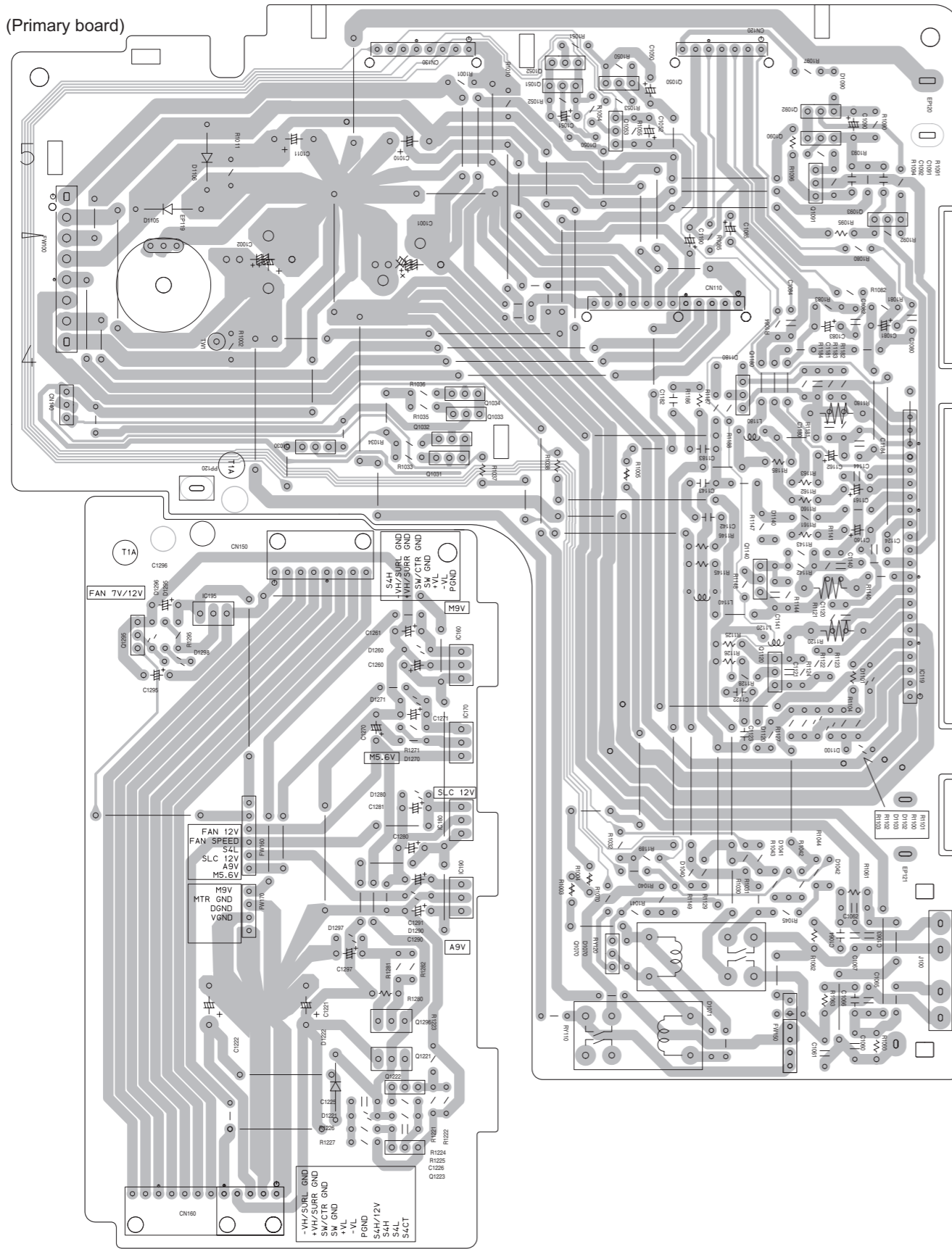


⚠ Parts are safety assurance parts. When replacing those parts make sure to use the specified one.

Printed circuit boards

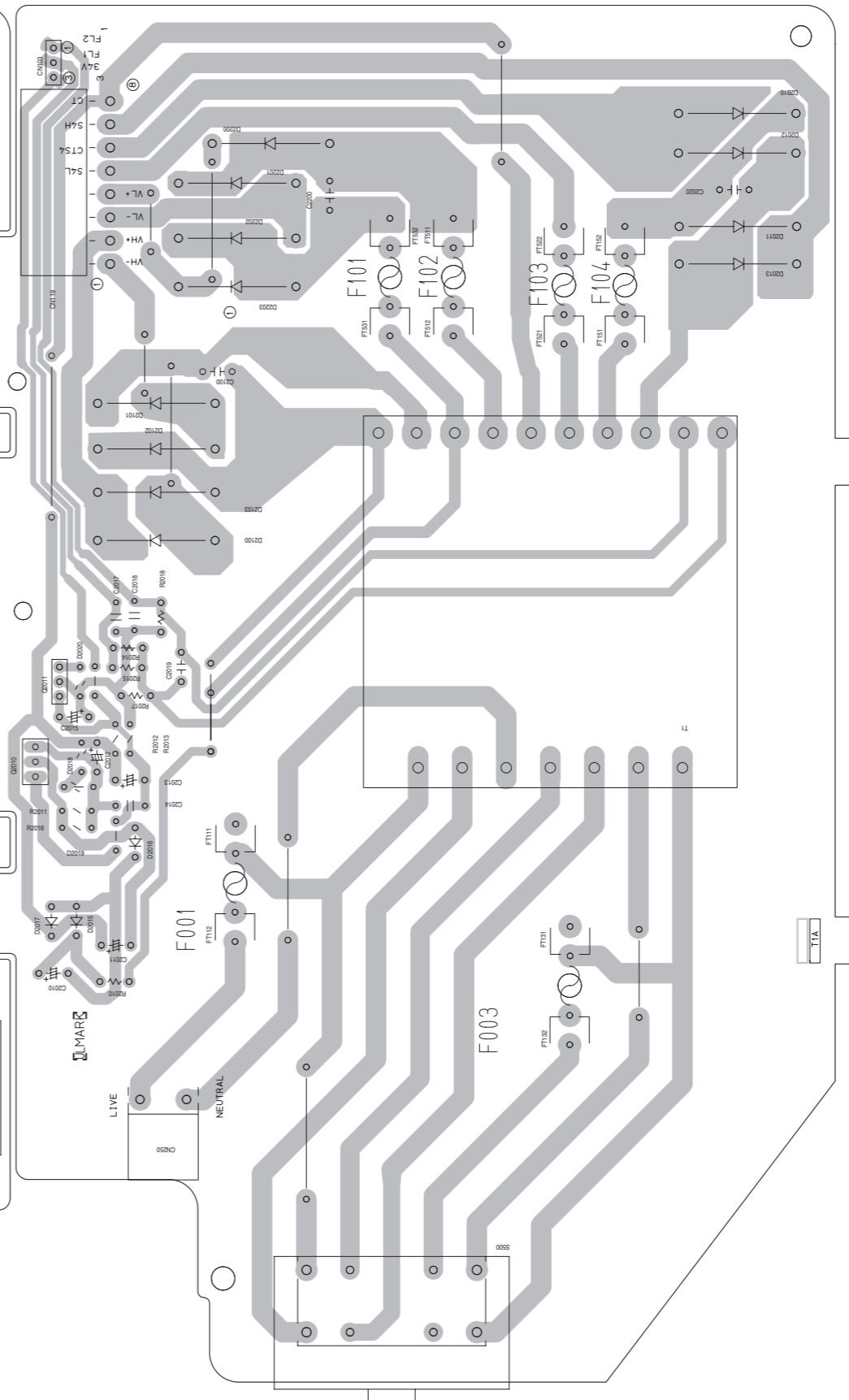
■ Primary board Lead free solder used in the board (material : Sn-Ag-Cu, melting point : 219 Centigrade)

(Primary board)



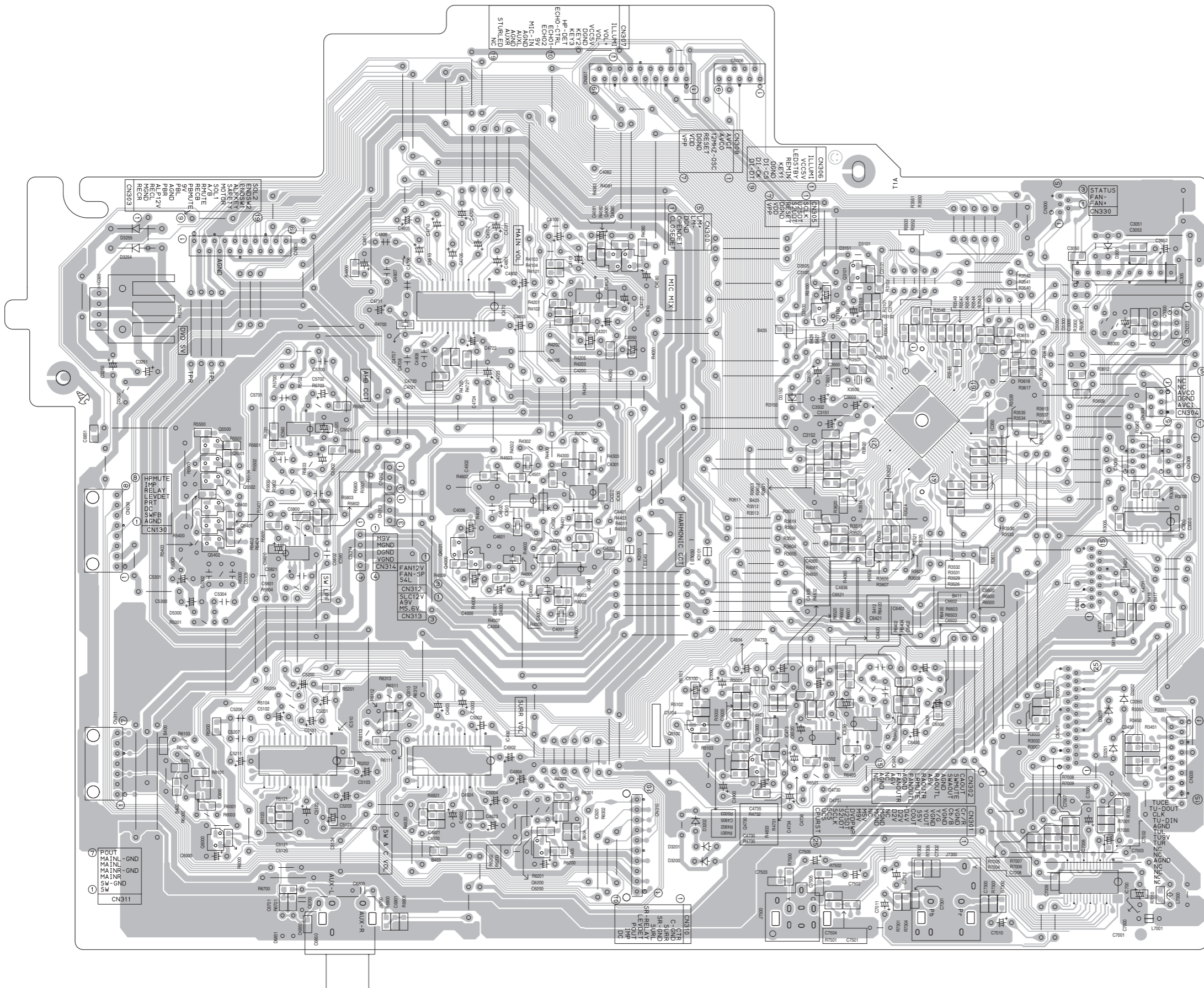
(Regulator & amplifier board)

(Transformer board)

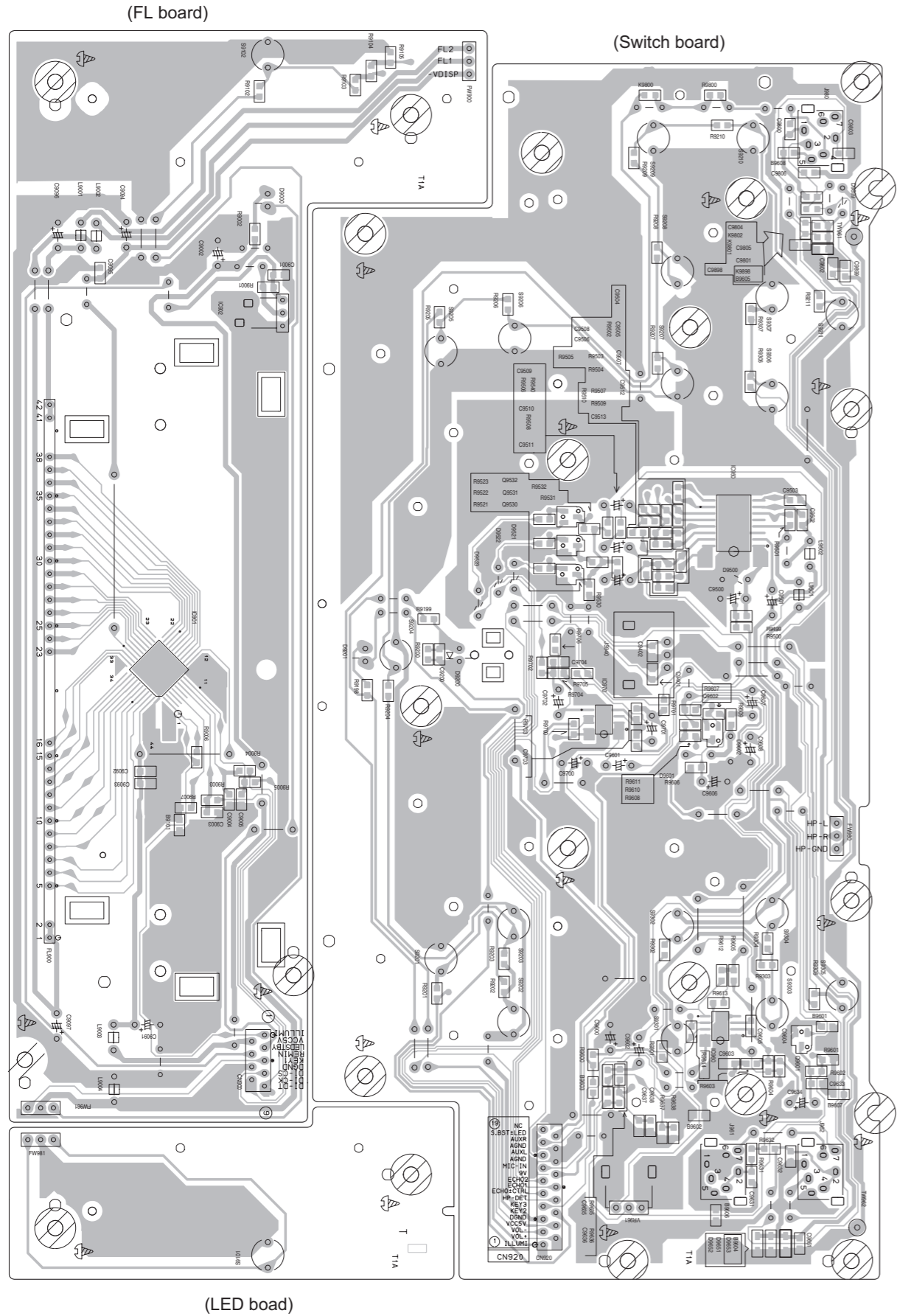


■ Main board

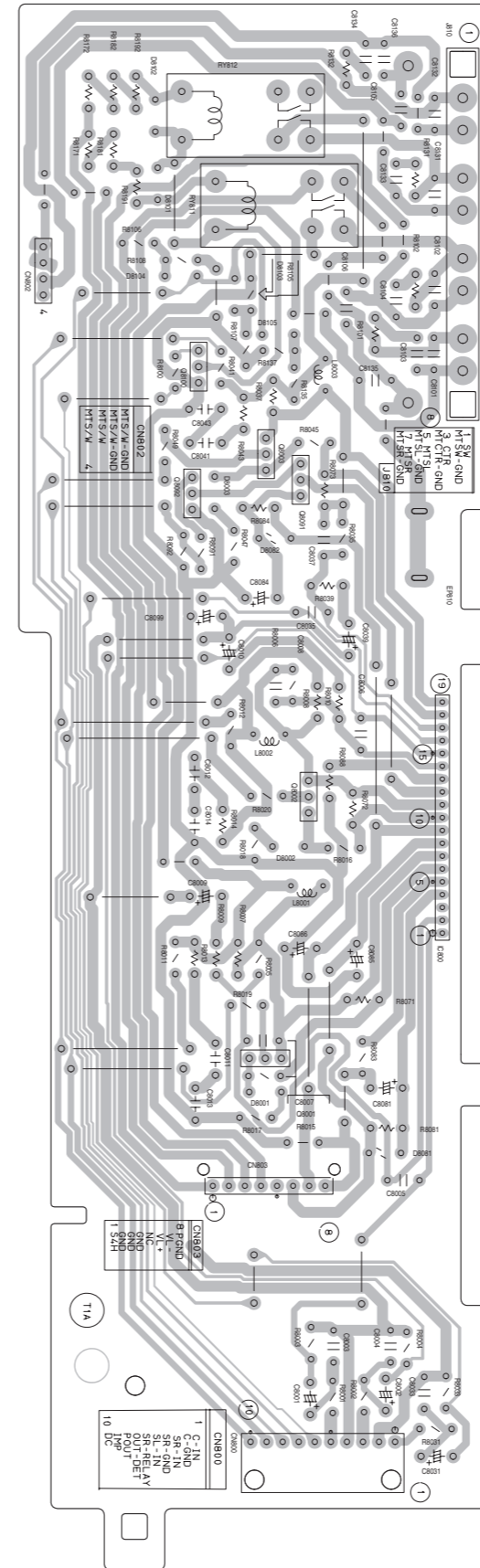
Lead free solder used in the board (material : Sn-Ag-Cu, melting point : 219 Centigrade)



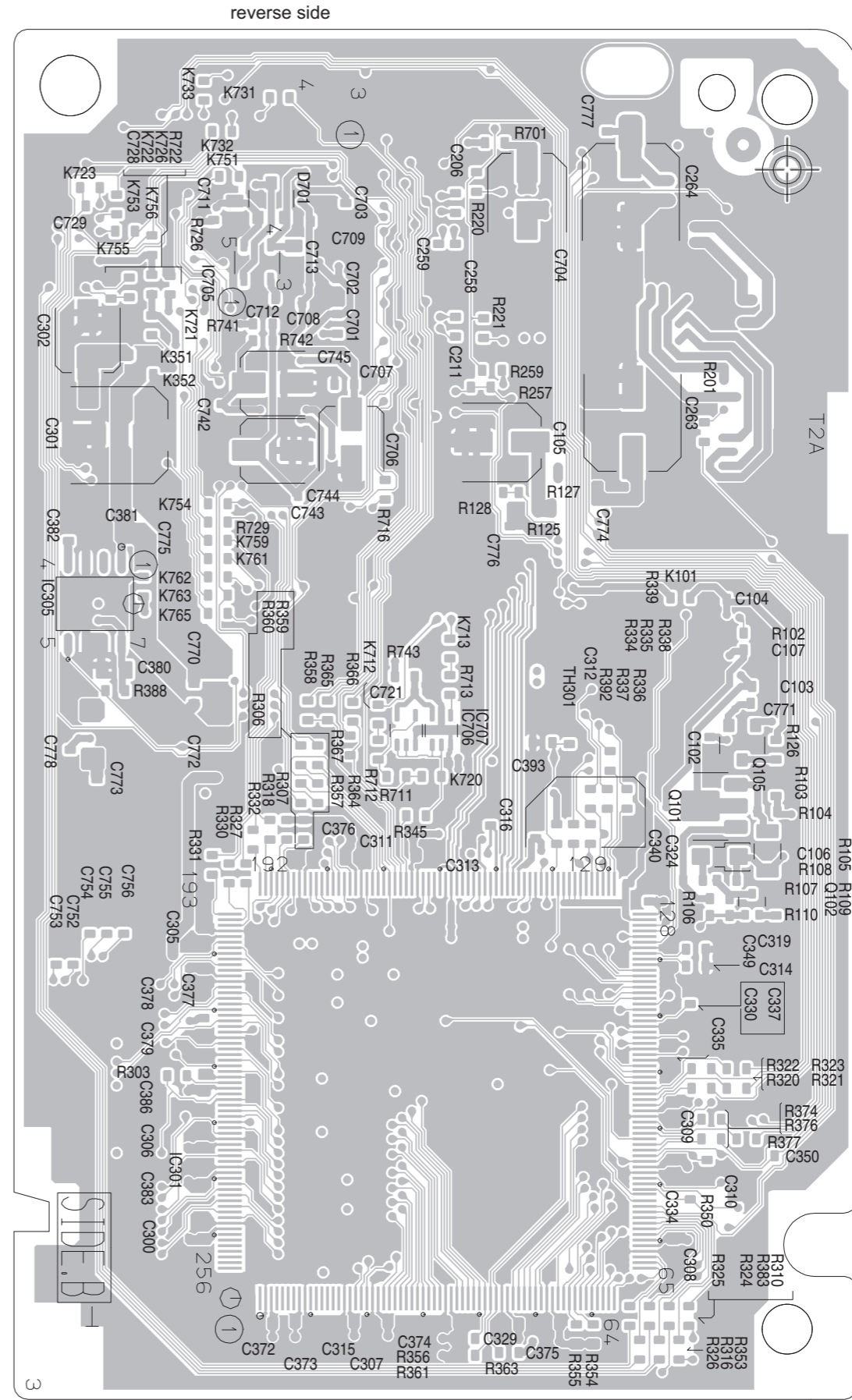
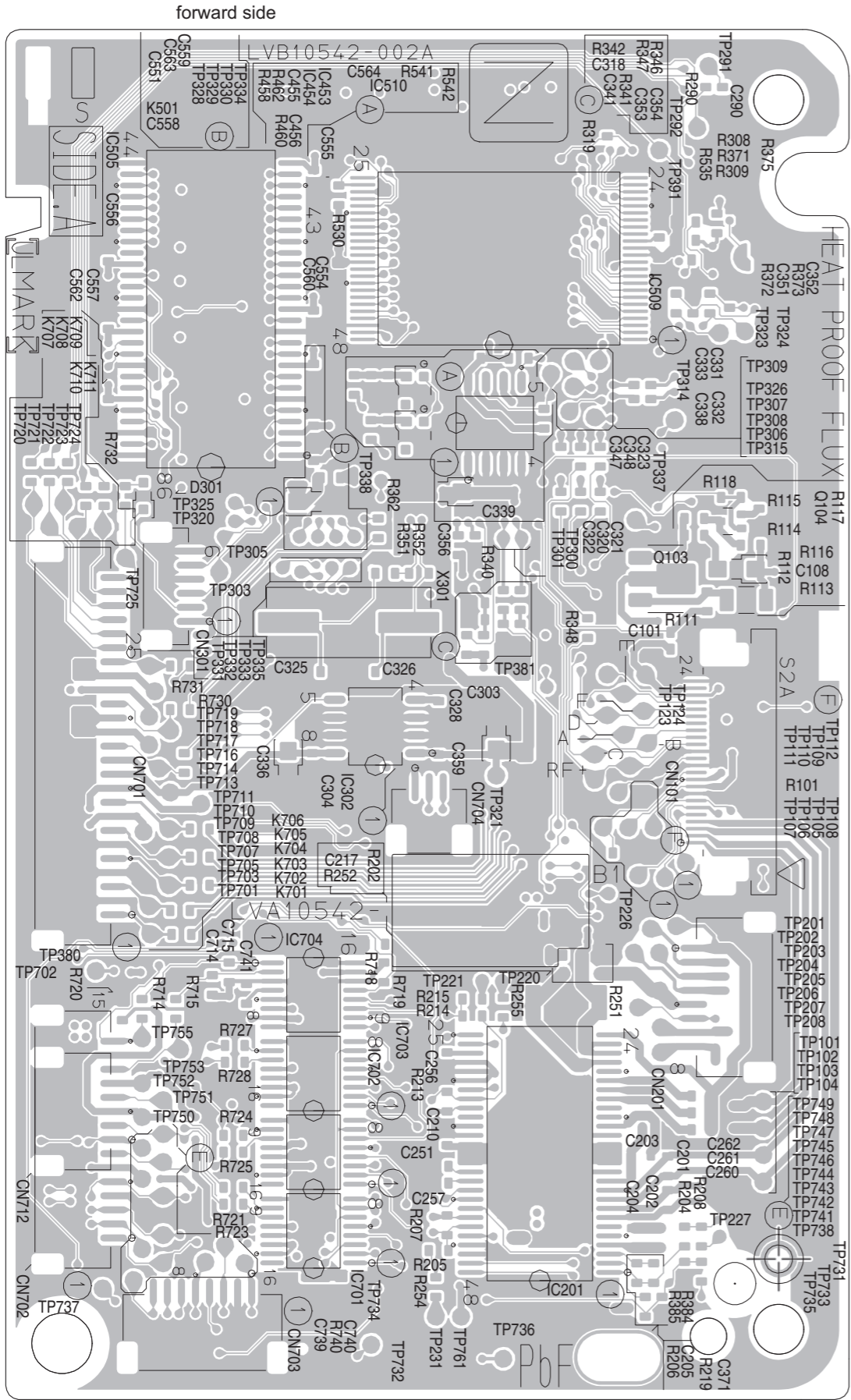
■ **Front board** Lead free solder used in the board (material : Sn-Ag-Cu, melting point : 219 Centigrade)



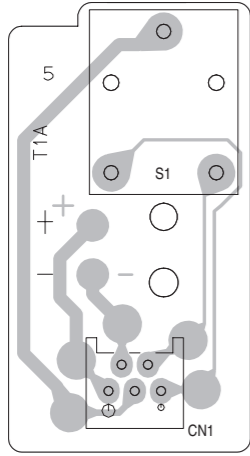
■ **Surround board** Lead free solder used in the board (material : Sn-Ag-Cu, melting point : 219 Centigrade)



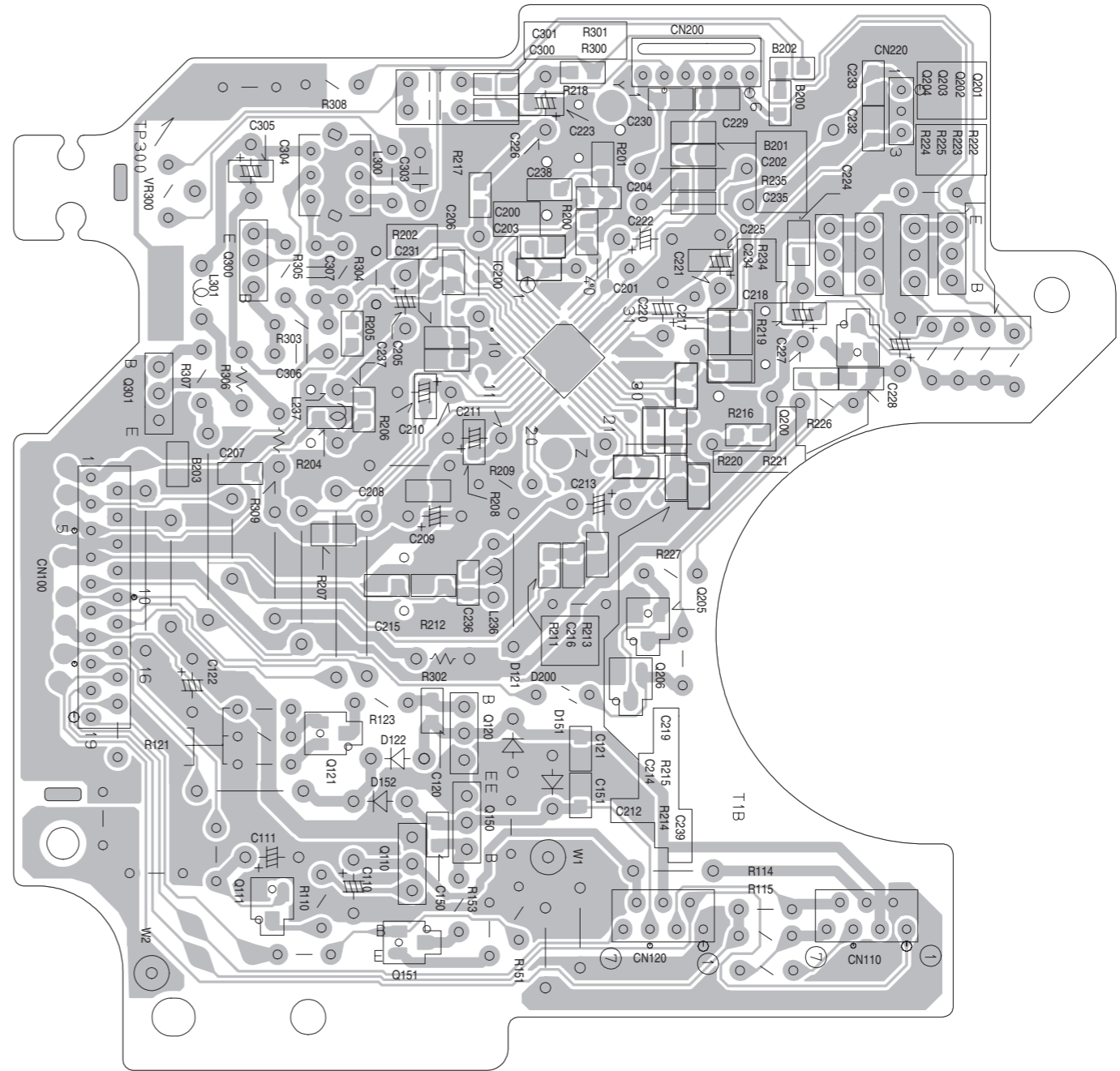
■ DVD board Lead free solder used in the board (material : Sn-Ag-Cu, melting point : 219 Centigrade)



■ **DVD switch board** Lead free solder used in the board (material : Sn-Ag-Cu, melting point : 219 Centigrade)



■ **Cassette board** Lead free solder used in the board (material : Sn-Ag-Cu, melting point : 219 Centigrade)



< MEMO >

JVC

Victor Company of Japan, Limited

Audio/Video Systems Category 10-1,1chome,Ohwatari-machi,Maebashi-city,371-8543,Japan

(No.MB547SCH)



Printed in Japan
VPT